



Card Stock & Label Guide

Laser Printers

October 2007

www.lexmark.com

Lexmark and Lexmark with diamond design are trademarks of Lexmark International, Inc., registered in the United States and/or other countries.

© 2007 Lexmark International, Inc.

All rights reserved.

740 West New Circle Road
Lexington, Kentucky 40550

Edition: October 2007

The following paragraph does not apply to any country where such provisions are inconsistent with local law: LEXMARK INTERNATIONAL, INC., PROVIDES THIS PUBLICATION "AS IS" WITHOUT WARRANTY OF ANY KIND, EITHER EXPRESS OR IMPLIED, INCLUDING, BUT NOT LIMITED TO, THE IMPLIED WARRANTIES OF MERCHANTABILITY OR FITNESS FOR A PARTICULAR PURPOSE. Some states do not allow disclaimer of express or implied warranties in certain transactions; therefore, this statement may not apply to you.

This publication could include technical inaccuracies or typographical errors. Changes are periodically made to the information herein; these changes will be incorporated in later editions. Improvements or changes in the products or the programs described may be made at any time.

Comments about this publication may be addressed to Lexmark International, Inc., Department F95/032-2, 740 West New Circle Road, Lexington, Kentucky 40550, U.S.A. In the United Kingdom and Eire, send to Lexmark International Ltd., Marketing and Services Department, Westhorpe House, Westhorpe, Marlow Bucks SL7 3RQ. Lexmark may use or distribute any of the information you supply in any way it believes appropriate without incurring any obligation to you. To obtain additional copies of publications related to this product, visit the Lexmark Web site at www.lexmark.com.

References in this publication to products, programs, or services do not imply that the manufacturer intends to make these available in all countries in which it operates. Any reference to a product, program, or service is not intended to state or imply that only that product, program, or service may be used. Any functionally equivalent product, program, or service that does not infringe any existing intellectual property right may be used instead. Evaluation and verification of operation in conjunction with other products, programs, or services, except those expressly designated by the manufacturer, are the user's responsibility.

Lexmark and Lexmark with diamond design, MarkVision, Optra, and Prebate are trademarks of Lexmark International, Inc., registered in the United States and/or other countries. Diamond Fine and WinWriter are trademarks of Lexmark International, Inc.

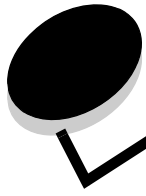
Other trademarks are the property of their respective owners.

© 2007 Lexmark International, Inc.

All rights reserved.

UNITED STATES GOVERNMENT RIGHTS

This software and any accompanying documentation provided under this agreement are commercial computer software and documentation developed exclusively at private expense.

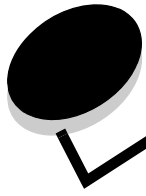


Contents

Overview	5
General information	6
Paper and label Industry	6
Print volumes	6
Print material testing	6
Card stock	10
Weight	10
Grain orientation	11
Coatings	12
Offset powders	12
Labels	13
Label characteristics	13
Printing on labels	13
Duplexing paper labels	14
Label components	15
Label design guidelines	17
Printer specifications	22
Lexmark X940, X945	24
Lexmark C935	25
Lexmark X500 and X502n	27
Lexmark C500n	28
Lexmark C530, C532, and C534	29
Lexmark E250, E350, E450n	32
Lexmark C770, C772, C780, and C782	33
Lexmark X642e	36
Lexmark E238, E240, E240n, E340, E342n	40
Lexmark C760, C762	41
Lexmark X644e, X646e	45
Lexmark X850, X852e, X854e	49
Lexmark C520, C522, C524	51
Lexmark C920	54
Lexmark T640, T642, T644	56
Lexmark W840	60
Lexmark C912	61
Lexmark C510	63

Contents

Lexmark X422	65
Lexmark X215	67
Lexmark C720	69
Lexmark C750	71
Lexmark C752	75
Lexmark C910	79
Lexmark E220	81
Lexmark E320, E322	82
Lexmark E321, E323	83
Lexmark E230, E232, E234(n), E330, and E332n	84
Lexmark E120	85
Lexmark T430	86
Lexmark T420	88
Lexmark T520, T522	91
Lexmark T620, T622	96
Lexmark T630, T632, T634	101
Lexmark W812	106
Lexmark W820	107
Optra C	109
Optra C710	110
Optra Color 1200	112
Optra E310, E312	113
Optra E, Ep	114
Optra Es special media printer	115
Optra K 1220	117
Optra M410, M412	118
Optra N	120
Optra plus, 4039, 4029, 4019, WinWriter 600 printers	121
Optra S	125
Optra SC 1275	131
Optra T	132
Optra W810	137
Glossary	138
Index	142



Overview

Lexmark has many years of experience in successful card stock and label testing and cross education programs with print material vendors and converters.

This document provides guidelines to help you select appropriate print materials for the following Lexmark laser printers.

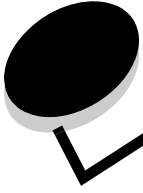
Model series	Models
4019 models	All
4029 models	All
4039 10 plus	All
4039 12C	All
C series	C500, C510, C520, C522, C524, C530, C532, C534, C720, C750, C752, C760, C762, C770, C772, C780, C782, C910, C912, C920
E series	E220, E230, E232, E234(n), E238, E250, E320, E321, E322, E323, E330, E332n, E340, E342n, E350, E450
Optra™ models	All
T series	T420, T430, T520, T522, T620, T622, T630, T632, T634, T640, T642, T644
W series	W812, W820, W840
WinWriter™ 600	4035 5W
X series	X215, X422, X500, X502, X642e, X644e, X644e, X646e, X850, X852e, X854e, X940, X945

The information supplied here supersedes other information relating to card stock and labels included with your printer. See other printer documentation for detailed information about the paper, envelopes, and transparencies suitable for your printer.

In addition to printer-specific media recommendations, this document also explains design factors you should consider when purchasing all types of print materials. The glossary on **page 138** defines many industry terms. If you have specific stock or design questions, talk with your print materials supplier.

See your printer documentation for general printing information and terms. See the printer registration card, information on the printer CD, or visit our Lexmark Web site at www.lexmark.com/publications for technical assistance contact numbers.

Always test print materials thoroughly before buying large quantities. Doing so will help you avoid unexpected problems when you begin regular printing.



General information

Paper and label Industry

The paper and label industry includes several different types of businesses: manufacturers, converters, and distributors.

Manufacturers produce the base stock. If the base is for labels, manufacturers may ship it on large rolls or in a cut-sheet form.

Converters take the base stock and convert it into cut-sheet products. Converters may work from rolls with or without the adhesive applied, or they may take a base stock and convert it to meet their customers' specifications.

The conversion process includes, but is not limited to, cutting the stock to size, perforating the stock, die-cutting, and applying inks and topcoats. Converters work with their customers to convert the base material into a cut-sheet product designed for use in laser printers.

Distributors generally are the direct link to the customer.

Distributors may work with different converters, and converters may work with different manufacturers, as their needs and prices change. Most businesses follow accepted industry conventions, but specifications, standards, formulations, and processes may vary with time or with different companies.

Note: Labels or papers that performed satisfactorily in the past may suddenly create printing problems because of a change in material or process.

Some large businesses perform all three functions, from manufacturing to distribution. These companies may offer greater expertise and product consistency than companies that concentrate on one facet of the process.

Print volumes

Printing numerous sheets of card stock or labels in a short period of time can create printing problems. Exclusive printing of labels, for example, may result in more frequent service calls. Proper printer maintenance helps alleviate these problems. (Look under "Maintenance procedures" in the index for specific information about maintaining your printer.)

Print material testing

Choosing print materials can seem complex. Unfortunately, it is not possible to write a simple "cookbook" explaining how to select print materials, because there are too many variables you need to address for each specific application.

Be aware that critical factors at the vendor—such as the physical characteristics of the base stock and the manufacturing processes—may change over time.

Print materials can significantly affect printer reliability and downtime. Using materials from converters or vendors who are unfamiliar with laser printing may result in unsatisfactory print quality or other printing problems.

Note: Once you have a successful design, test the print material before placing a large order to avoid costly mistakes.

Your print materials supplier should be able to help develop your application or solve a problem you have with an existing application. In addition, Lexmark has worked with several suppliers and has business partners in this field. See the printer

Print material testing

registration card, information on the printer CD, or visit our Web site at www.lexmark.com/publications for technical assistance contact numbers.

Design factors

Print materials all have measurable characteristics that you need to consider when selecting or designing forms for your particular application.

Basis weight

Basis weight is a term used to describe the weight in pounds of 500 sheets of paper (one ream). However, the weight is determined based on the standard size of the paper, which may not be the purchased size. For example, the standard size of 20 lb Bond paper is 17 x 22 inches, and a ream of 17 x 22 inch 20 lb Bond paper weighs 20 lbs. If the 17 x 22 inch 20 lb Bond paper was cut, creating four reams of 8.5 x 11 paper, each ream would be labeled 20 lb Bond paper but would only weigh 5 lbs.

If the same paper weighed 24 pounds, it would be called 24 lb Bond. The 24 lb Bond paper is thicker, heavier, and more dense than the 20 lb Bond. Thicker paper means less paper can be placed in a tray, and paper that is heavier and more dense may cause paper jams or feed reliability problems in some printers. Check the printer media weight table located in the printer *User's Guide* to verify that the paper basis weight being used is acceptable.

Not all basis weights are related to the same standard sheet size: for example; 70 lb material can be lighter than 40 lb material if it is based on larger base size paper (see the **Card stock weights comparison guide on page 11**). For a more consistent way to compare weights, see the metric measurement of grams per square meter (g/m²). The metric measurement of grams per square meter has been standardized by the International Organization for Standardization (ISO).

Your printer can accept a wide range of stock weights, but materials either too light or too heavy can cause printing problems. Heavy and/or thicker materials may not heat quickly enough in the fuser, resulting in poor print quality. They may also feed less reliably or skew due to their weight or rigidity. Conversely, lighter materials can wrinkle and jam in the printer due to low beam strength (stiffness).

Depending on the orientation of the stock as it feeds through the printer, you may need to request that heavier materials be cut grain short or grain long to provide flexibility in paper path turns. See the specifications for each printer for more precise recommendations.

Dimensions

All printers have print material dimension limitations. See the printer documentation shipped with your printer for details. You can sometimes redesign forms to overcome these limitations. For example, if you use forms that are shorter than the minimum length supported by your printer, you may be able to link two forms together when printing multiple forms. An optional Universally Adjustable Tray designed for the Optra S, Optra T, and Lexmark T printer families prints on a range of paper sizes including A6 and 3-inch by 5-inch index cards, 3-inch by 7-inch punch cards, and 4-inch by 6-inch postcards.

Environment

Lexmark printers meet or exceed all industry emission regulations and standards. Continuous printing on some papers or other media may create fumes that are not a problem with occasional printing. Make sure your printer is located in a well-ventilated area.

Temperature and humidity can have a major impact on printing. Even small changes (such as from day to night) can greatly affect feed reliability if the print material is just within the range of acceptability.

We recommend that you *condition* stock while it is still in the original wrapper. To condition stock, store it in the same environment as the printer for 24 to 48 hours before printing to let the stock stabilize at the new conditions. You may need to extend this time several days if the storage or transportation environment is very different from the printer environment. Thick stock may also require a longer conditioning period because of the mass of the material.

Print material testing

If you remove the wrapper from the stock before you're ready to load it in the printer, the stock may develop uneven moisture content that can cause curl. Prior to loading your stock, we recommend that curl not exceed 3 mm (0.125 in.). Lighter materials, such as paper labels and some integrated forms, are more likely to have printing problems if curl is present.

Most label manufacturers recommend printing in a temperature range of 18 to 24°C (65 to 75°F) with relative humidity of 40 to 60%. Lexmark printers are designed to operate in a temperature range of 15.5 to 32°C (60 to 90°F) with relative humidity of 8 to 80%. Printing in an environment outside these recommendations may cause jams, feeding problems, reduced print quality, and predisping (peeling) labels.

Inks (preprinted stock)

Preprinted stock introduces semi-liquid and volatile components to the high temperatures and pressure used in the laser printing process. Preprinted inks and colorations must withstand a fuser temperature up to 225°C (437°F) and pressure up to 25 psi without contaminating the printer or creating hazardous fumes.

Thermography inks are not recommended. Thermography inks have a waxy feel and the printed image appears raised above the surface of the print material. These inks can melt and damage the fuser assembly.

Preprinted inks must also be abrasion resistant to reduce ink dust and ink contamination in the printer. If you are printing over a preprinted area, the ink must be receptive to toner to ensure adequate fusing.

All preprinted inks must be thoroughly dry before using printed materials. However, we do not recommend using offset powders or other foreign materials to speed drying. Check with your converter, or the manufacturer or vendor of the ink you plan to use, to determine if the ink is compatible with laser printers that heat the ink to 225°C (437°F).

Perforations and die-cuts

If your form has perforations, the perforation line should stop 1.6 mm (0.06 in.) from each edge of the form to avoid separating the form in the printer path, resulting in a jam. The location of the perforation affects initial pick strength. Perforations closer to the edge may increase the number of jams. For pressure-sensitive materials such as labels, minimize the number of perforations that go through the backing material, or liner, since these can also affect the strength of the form.

Perforations should be ironed so the print material lies flat, reducing nesting of forms. Edges should be smooth and clean with no roll-over. *Laser-perfs* (also known as *micro-perfs* or *data-perfs*) provide greater stability and are preferred. These smaller perforations do not normally nest or create excessive paper dust and debris. Make sure paper chaff and dust created during the conversion process are removed before packaging.

If perforations *tent*, or crease at the perforation line, the perfs may break, causing a paper jam. Tenting may increase skew, cause double sheet-feeding, or smear the toner on the print material before fusing, resulting in poor print quality. To reduce tenting, use micro-perfs. If the print material is lightly snapped as it moves through the printer, the perforations should hold without breaking.

Die-cutting is used to create shapes in a label or a card stock design. When designing labels, round all corners to prevent delamination of the labels, and avoid cuts through the liner (*anvil cuts*). Back splits and pop-out windows are also not recommended.

If perforations or die-cuts are part of the design of the print material, ties are recommended. These small uncut areas (approximately 1.6 mm or 0.06 in.) help stabilize the form and prevent tearing at perforations and die-cuts during printing.

For areas with die-cuts or perforations that create a small end product, or where die-cuts or perforations intersect, ties on the corners of the design provide added stability. Ties may be located anywhere along perforations or die-cuts. For pressure-sensitive products, ties help prevent the labels from peeling off the liner while in the printer. Ties cannot, however, be used to compensate for inadequate release strength of the adhesive in label designs.

Note: For specific perforation and die-cut guidelines for your printer, see the appropriate topic under **Printer specifications on page 22**.

Debossing and embossing

Avoid debossing and embossing materials. Embossing leads to nesting and double sheet feeds, and the fusing process significantly reduces the height of the raised image. Printing too close to embossments results in poor print quality and poor fuse grade.

Metallics

We do not recommend using metallics in forms, whether in inks or other materials, due to their conductivity and their ability to bleed charge. This can interfere with toner transfer and cause poor print quality.

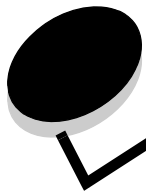
Basic form design

When designing forms, include a non-print area of 8.38 mm (0.33 in.) at the top and bottom of the form and 6.35 mm (0.25 in.) on both sides of the form.

In general, portrait orientation is the preferred layout, especially if you are printing bar codes. If your forms require landscape orientation, be aware that variations in paper path speed may produce spacing variations when printing bar codes.

Note: We do not warrant uninterrupted or error-free operation of a product. Warranty service does not include repair of failures caused by:

- modification or attachments
- accidents or misuse
- unsuitable physical or operating environment
- maintenance by anyone other than Lexmark or a Lexmark authorized servicer
- operation of a product beyond the limit of its duty cycle
- failure to have installed a maintenance kit as specified (if applicable)
- use of printing media outside of Lexmark specifications
- use of other than Lexmark supplies (such as toner cartridges, inkjet cartridges, and ribbons)
- use of other than Lexmark product or component



Card stock

Card stock is a rigid, stiff material that can have a wide variety of constructions. Orientation of paper fibers (grain direction), moisture content, thickness, texture, and other properties can significantly impact printing, as can preprinting, perforation, creasing, and other features common to forms. For example, preprinting introduces semi-liquid, volatile components that must withstand the high temperatures used in laser printing. Perforation and creasing may cause nesting, or interlocking, which can cause paper jams and double sheet feeds.

The following sections describe some of the basic characteristics of card stock. In general, we recommend a single-ply construction of 100% chemically-pulped wood with a vellum finish. Before purchasing large quantities of card stock, make sure you test samples of the print material in your printer.

Weight

The weight of card stock plays a significant role in the print quality and feed reliability of the stock. Confusion often arises when specifying the *basis weight* of a stock; see **Basis weight on page 7** for more information. The *basis weight* is a term used to describe the weight in pounds of 500 sheets of paper (one ream). Since the sheet size varies from one type of stock to another, the basis weights are not always easily comparable. For example, an office supply store has 8.5 x 11 size cover stock (80 lb Bristol) and 8.5 x 11 size card stock (90 lb Index) side by side on the shelf. Both papers are manufactured by the same company, and a basis weight comparison indicates the card stock (90 lb Index) is heavier than the cover stock (80 lb Bristol). In this example, the cover stock (80 lb Bristol) is actually heavier than the card stock (90 lb Index).

The reason the cover stock is heavier is because before the two types of paper were cut into 8.5 x 11 size pages, the card stock was a larger sheet size than the sheet size of the cover stock. When the papers were cut during the manufacturing process into 8.5 x 11 size pages, more reams (500 sheets) of paper were received from the card stock sheets than from the cover stock sheets. This makes the weight of the cover stock heavier than the weight of the card stock.

It is easier to compare the cover stock metric weight (g/m^2) against card stock metric weight (g/m^2). If you look at the metric weights of the two stocks in the previous example, it is immediately evident that 80 lb Bristol cover stock (176 g/m^2) is heavier than 90 lb Index card stock (163 g/m^2).

Not all printers are able to print on cover stock. This is because cover stock is usually thicker and not able to make the turns in the printer paper path. This causes paper jams and sometimes causes the paper to feed incorrectly. Also, when using a laser printer, toner is pulled onto the paper through an electrical charge. If the paper is too thick, there may not be enough voltage to pull the toner on the paper properly and can cause poor print quality.

To determine if your printer is able to print on cover stock, go to **Printer specifications on page 22**, locate your printer, and review the supported paper type information. You can also view the supported media in the printer *User's Guide*.

Grain orientation

Use the following table to compare the weights of various types of card stock.

Card stock weights comparison guide

Metric equivalent (g/m ²)	Basis weight (lbs/ream)					
	Bond 431.8 x 558.8 mm (17 x 22 in.)	Offset 635 x 965.2 mm (25 x 38 in.)	Cover 508 x 660.4 mm (20 x 26 in.)	Printing Bristol 571.5 x 889 mm (22.5 x 35 in.)	Index Bristol 647.7 x 774.7 mm (25.5 x 30.5 in.)	Tag 609.6 x 914.4 mm (24 x 36 in.)
75	20	50	—	—	—	50
90	24	60	—	—	—	—
105	28	70	—	—	—	—
108	29	—	40	—	—	—
118	31	80	—	—	—	—
120	32	—	—	—	67	74
131	35	90	—	—	—	—
135	36	—	50	—	—	—
148	39	100	—	—	—	—
163	43	—	60	—	90	100
176	47	120	65	—	—	—
199	53	—	—	110	110	—
203	54	—	—	—	—	125

Card stock weights may vary \pm 5%.

Depending on the printer, material thicker than 0.30 mm (0.012 in.) may present feed reliability problems, and material thicker than 0.17 mm (0.007 in.) may reduce print quality. Contact your supplier to determine the weight of any card stock you currently use.

See the individual printer specifications in this document for more information about the card stock weights your printer supports.

Grain orientation

Grain refers to the alignment of the paper fibers in a sheet of paper. Grain is either grain short, running the width of the paper, or grain long, running the length of the paper.

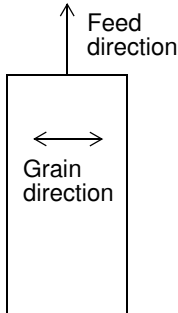
The orientation of the grain contributes to the rigidity of card stock and affects feed reliability. The recommended grain orientation depends on the weight of the stock and whether the printer feeds the stock short-edge first or long-edge first. For lighter card stocks, grain long is recommended to reduce potential curl problems. Curl may decrease the ability of the form to move reliably through the printer.

Most printers feed paper short-edge first. If your printer supports larger paper sizes, such as 11x17 in. or A3, it may feed some paper sizes long-edge first. See your printer documentation for more information.

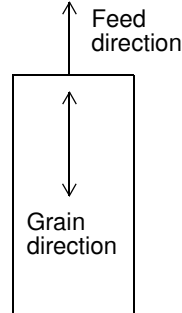
Coatings

For materials fed *short edge* first:

Grain short is recommended for stock heavier than 135 g/m²

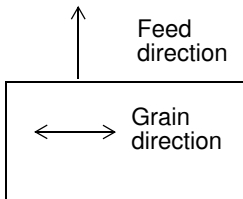


Grain long is recommended for stock lighter than 135 g/m²

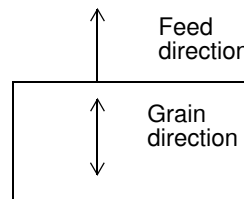


For materials fed *long edge* first:

Grain long is recommended for stock heavier than 135 g/m²



Grain short is recommended for stock lighter than 135 g/m²



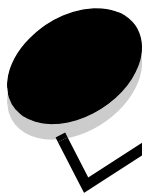
See the individual printer specifications in this document for more information about the recommended grain direction for card stock you use with your printer.

Coatings

Surface texture and coatings on card stock significantly affect toner adhesion (fuse grade), print quality, and feed reliability. We recommend a vellum finish for the best printing performance. We do not recommend glossy coatings and slick surfaces or surfaces that mimic laid finishes (glossy paper, not glossy card stock, is acceptable for some printers). Paper smoothness also affects print quality. If the paper is too rough, the toner does not fuse to the paper properly; if the paper is too smooth, it can affect feed reliability. We recommend smoothness to be between 100 and 400 Sheffield points (150 to 250 is optimal). Using media higher than 300 Sheffield could result in printing degradation.

Offset powders

We do not recommend using offset powders or other foreign materials to speed drying. Offset powders are used by print shops to prevent printed pages from sticking together. Powder is usually sprayed on the printed page right before it reaches the stacker on the offset printing press. This powder provides an intermediate layer between two sheets of paper, preventing ink transferring from one sheet to another.



Labels

Labels (also called pressure-sensitive materials) are multi-ply materials consisting of a “sandwich” of various combinations of face sheets (printable stock), adhesives, and removable protective backings (liners). The multiple layers can result in thick, difficult-to-handle materials.

Labels are among the most difficult print materials for any printer to reliably feed and print. The heat, pressure, and paper paths required by laser printers create a particularly difficult environment for printing labels. Temperatures near 225°C (437°F) [temperatures vary between printers; check the section for your specific printer] and pressures to 25 psi can be necessary for the fusing process. Heavy label stock can absorb heat, which in turn affects toner adhesion and print quality and causes problems such as delamination.

Note: To prevent labels peeling off or delaminating, make sure the release strength of the labels you use is sufficient to withstand the temperature and pressure extremes generated during printing.

Label characteristics

The materials used to construct labels have a wide range of properties that can affect printing. In addition to volatile components in adhesive, volatiles are also in some label materials. We recommend that volatile emissions from the label, up to 160°C (320°F), should be a minimal amount. These low boiling point volatiles can produce emissions when they are heated in the fuser, and they can potentially produce vapors which can cause damage to the printer. Preprinted inks can also cause printer contamination, and may be present on one or both sides of the label sheet.

Observing recommended label design guidelines can minimize contamination as well as prevent other critical problems, such as labels peeling off and causing jams in the printer, or the label or adhesive melting if the sheet stops in the fuser during a paper jam.

Review label designs with a converter or vendor who is knowledgeable about labels and laser printer characteristics to ensure you use labels suitable for your application.

Note: Before purchasing large quantities of labels, make sure you extensively test the labels with your printer.

Printing on labels

Use full label sheets only. Partial sheets (with areas exposed by missing labels) can cause labels to peel off during printing, resulting in a paper jam. Partial sheets can also contaminate your printer and cartridge with adhesive and can void the printer and cartridge service warranties.

Do not feed labels through the printer more than once. Doing so may result in adhesive contamination to the cartridge and other components.

Depending on your printer model and the number of labels you print, printing labels may require special printer maintenance. (Look under “printer maintenance” in the index of your *User’s Guide*, publications CD, or *Software and Documentation* CD for specific information about maintaining your printer.)

If you print large quantities of labels or other glossy print media on a Lexmark™ C750 or C752, replace the fuser housing with a web oiler field upgrade kit (P/N 12G6307 for a 115 V printer, P/N 12G6308 for a 220 V printer).

Duplexing paper labels

Due to the special construction of labels, they are not typically duplexed. However, if certain design, construction, and usage guidelines are followed, you can print on both sides of the label sheet successfully.

When developing a paper label for duplexing, the converter should ensure the label design protects against contamination or buildup. Contamination adversely affects paper feeding and causes paper jams in the printer.

We recommend labels used for duplexing have a non-adhesive border around the label area. In addition, make sure the release strength is sufficient to withstand temperatures of 225°C (437°F) and pressures to 25 psi. This is particularly important with a duplex application since the label is subjected to these extremes twice. Use label *ties* whenever possible. These small uncut areas (approximately 1.6 mm or 0.06 in.) help stabilize the label sheet and prevent tearing at perforations and die-cuts during printing. In addition, using ties helps prevent the labels from predispending in the printer.

The slits and cuts in the labels expose the adhesives to the printer. For best results when duplexing labels, position the label sheet so the slits and cuts are *not* aligned with the ribs in the duplex or redrive areas of the printer. (**Figure 1** and **Figure 2 on page 15** illustrate the rib locations for the Optra S and the Optra T, respectively.) This eliminates any contact points between the label adhesive and the printer, thereby preventing any adhesive contamination in the printer.

Other steps to ensure optimal printing include orienting the label in the tray so the label end is fed into the printer first and using long grain paper. Long grain paper tends to feed more reliably than short grain paper, which tends to curl more easily. As with any industry, product changes and improvements are constantly being developed. Therefore, if a converter develops a short grain sheet for use with duplexed labels, test the sheet to make sure it performs satisfactorily. We recommend testing any material with your application and printer before purchasing large quantities.

To use the duplex label application, you *must* install a special fuser wiper.

Printer	Fuser wiper part number
S1855, T612, T614, T520, and T522	99A1082
T620 and T622	18A1467
T630, T632 and T634	56P2109
T64x, X644e, and X646e	40X2666

The wiper makes it possible to print on both sides of paper labels specifically designed for duplexing. In addition, you can use the wiper to simplex paper labels and duplex paper in the same printer. When ordering a new cartridge, be sure to order the cartridge that includes the correct fuser wiper.

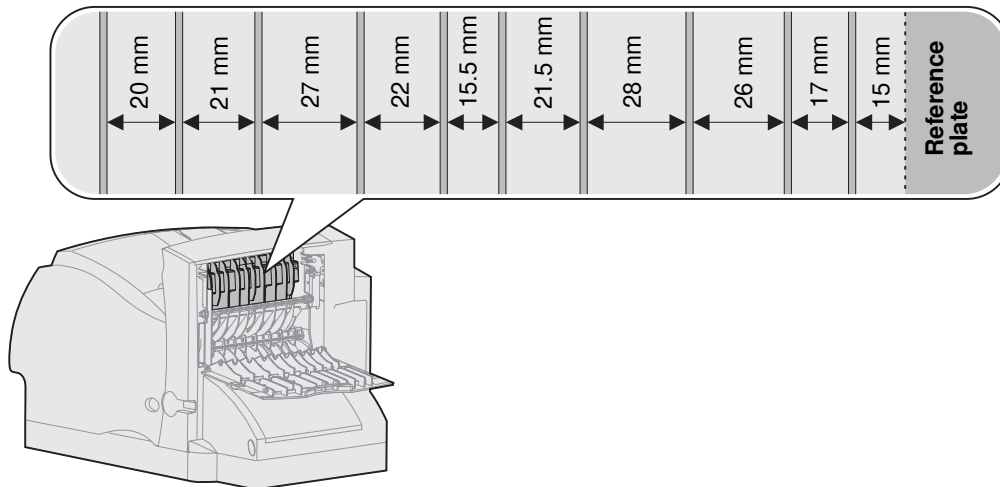


Figure 1. Optra S rib locations (rib width = 2mm)

Label components

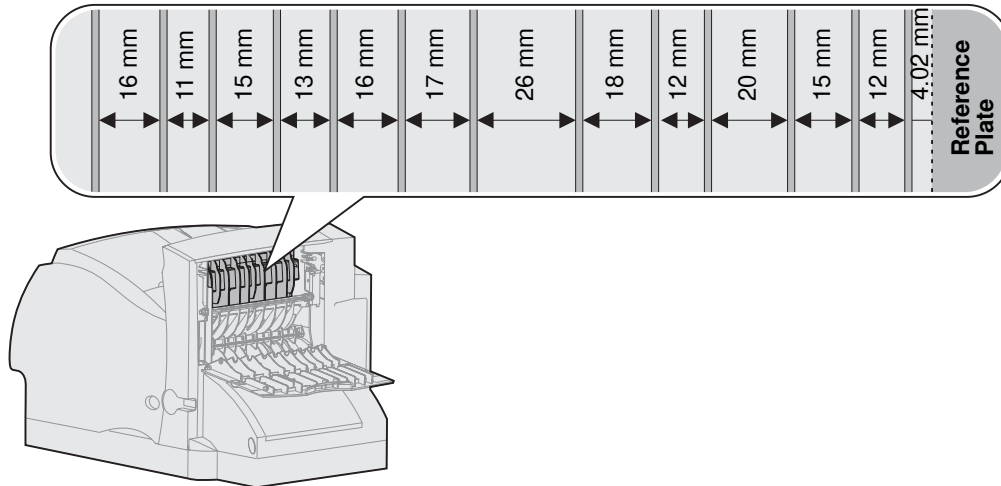


Figure 2. Optra T and Lexmark T rib locations (rib width = 2mm)

Label components

Labels are composed of three basic parts: the liner, the adhesive, and the face sheet. Labels may also have topcoats that affect printing. Choosing appropriate materials for each of these label components will help ensure reliable printing.

Liners

The *liner*, also known as the *carrier* or *backing*, is the material onto which the label is attached. The liner carries the label through the printer and directly affects feed reliability. Liner weights and construction vary based on the printable face stock used. (See **Face sheet (printable stock) on page 16.**) Tissue-backed, plain bond, or bond-like, porous, lay-flat liners are preferred. Liners constructed for use in high speed laser printers (50 or more pages per minute) may not produce acceptable results.

A liner should bend easily and *snap* back to its original flat state when released. If the form remains bent, it may cause paper jams or damage to the edge of the sheet, particularly in earlier printer models using a corner buckler rather than an auto compensator to separate the sheets. The following table shows which printers use a corner buckler and which use an auto compensator.

Note: If your printer is not listed here, contact your Lexmark representative to verify which method your printer uses to separate sheets of labels.

Printers using a corner buckler	Printers using an auto compensator
<ul style="list-style-type: none"> • 4019, 4029, 4039, 4049 • Lexmark E220, E320, E321, E322, E323, T420, W820, X422 • Optra 12L, 12R, Lxi, Lx, Rx • Optra R+, Rt+, Lx+, Lxi+ • Optra C, Optra Color 1200, Optra N • Optra M410, M412, W810 • C910, C912, C920 	<ul style="list-style-type: none"> • Lexmark E230, E232, E234(n), E330, E332n, C510, C750, C752, T520, T522, T620, T622, T630, T632, T634, T640, T642, T644, X215 • Optra S 1250, S 1650, S 2450 • Optra S 1255, S 1625, S 1855, S 2455 • Optra Se 3455 • Optra T610(n), T612(n), T614(n), T616(n)

Some liner materials used in pressure-sensitive constructions are called *label papers*. Label papers are either M.F. (machine finish) or E.F. (English finish) papers that are calendered, supercalendered, or coated on one side. Machine

Label components

finishes have varying degrees of surface smoothness. The smoothness is determined by the number of times the paper passes through the rollers (wet or dry) during manufacturing. An English finish is uncoated and low gloss in appearance. Label papers may also be used as the face sheet for pressure-sensitive paper products, such as the materials used in dual web forms construction.

Supercalendering produces high gloss surfaces that may be slick. Some supercalendered liners are difficult for printers to pick and feed reliably. We do not recommend using supercalendered liners designed for high-speed laser printers (50 or more pages per minute).

Some pressure-sensitive constructions use Kraft liners or bleached Kraft liners. Kraft liners are made from sulfate pulp and are M.F. or M.G. (machine glazed). Most machine glazed papers have a high gloss appearance. High gloss, glazed surfaces may increase skew and are more difficult for the printer feed mechanism to handle reliably. Some Kraft liners may produce acceptable results; however, we strongly recommend extensive testing of pressure-sensitive constructions using Kraft liners.

Tissue-backed or plain bond liners reduce toner contamination inside the printer and improve feed performance. Slick, non-porous liners are harder to feed and increase toner buildup in the fuser and on the backup roll. Rough backings, on the other hand, can increase paper path friction, which can cause skew and paper jams. The face material of the liner needs to have a melt temperature that can also withstand the fuser temperatures of nearly 225°C (437°F). Since there is a stripped area of a maximum of 3 mm, this can expose the face material to these temperatures and could cause melting or contamination in the fuser.

Excessive paper dust or chaff associated with the liner may affect print quality. If a liner material produces excessive paper dust or chaff during the conversion process, some of this debris may be packaged with the material and end up in the printer. Liner materials that produce excessive paper dust or chaff as they feed through the printer may also affect print quality.

Your forms supplier can provide additional information on liners.

Adhesives

There are three basic types of label adhesives: *removable*, *permanent*, and *semi-permanent (cold temp)*. All types, with proper design, can be used with your printer. Acrylic-based adhesives are generally preferred for cut sheet label printers.

The major adhesive-related printing problem is printer and cartridge contamination. The adhesives are semi-liquid and may contain volatile components. If the sheet jams in the fuser, the adhesive can melt, thereby contaminating parts of the printer or releasing fumes. To avoid exposing adhesive to the paper path guides, drive rollers, charge roller, photoconductor drum, transfer roller, and detack fingers, use full label sheets.

Zone coating means placing the adhesive only where needed. Paper labels and integrated forms typically use zone coating. In addition, a non-adhesive border of 1 mm (0.04 in.) around the outside edge of the label sheet generates good results. Check with your adhesive manufacturer or forms supplier for more information about designing labels for your printer.

A *stripped edge matrix* along the outer border of the stock, combined with adhesive that does not ooze, helps prevent adhesive contamination. This design requires a stiffer backing material to prevent damage when the sheet is aligned on the reference edge. Generally, vinyl and polyester labels are well-suited for this design. Paper and dual web designs may require testing to determine which backing produces good results. (See **Label design guidelines on page 17** for more information on matrices.)

Make sure the *release strength* is adequate so labels stay attached to the liner and do not peel off in the printer. Adhesives must be able to withstand pressures to 25 psi and fuser temperatures of 225°C (437°F) without delaminating, creating hazardous fumes, or oozing around edges of labels, perforations, or die-cuts. Shear strength should be strong enough to prevent adhesive stringers. Contact your forms supplier for additional information.

Face sheet (printable stock)

Paper, vinyl, and polyester are the most common materials used for printable stock. Your forms supplier can provide information on whether the printable stock you want to use can withstand temperatures of 225°C (437°F) [temperatures

Label design guidelines

vary between printers; check the section for your specific printer] and pressures to 25 psi. Carefully test the stock to ensure it functions satisfactorily with your printer.

Topcoats

Topcoats for non-paper labels may be either water based or solvent based. Avoid topcoats containing chemicals that emit hazardous fumes when heated or exposed to pressure. Topcoats affect the print quality, feed reliability, and adhesion of toner to the face sheet. Topcoats must be able to withstand temperatures up to 225°C (437°F) [temperatures vary between printers; check the section for your specific printer] and pressures up to 25 psi for 100 milliseconds to prevent fuser damage.

Water-based topcoats tend to be more conductive than solvent-based topcoats and are more difficult to fuse. With some water-based topcoats and heavy liners, the fuse grade may fall below acceptable levels. Solvent-based topcoats tend to be lower in conductivity than water-based topcoats. With some solvent-based topcoats, fuse grade is within acceptable levels when heavier liners are used.

Print quality may degrade when using topcoats on labels with heavier liners. Using a lighter liner may reduce the appearance of *splatter*. Test forms carefully with your printer to be sure the topcoat used performs acceptably for your application.

Label design guidelines

Labels with a *stripped edge matrix* have the area around the outer edge of the cut sheet removed. Labels with a *total strip matrix* have the unneeded portion of the die-cut stock around the labels (including a portion between the labels) removed to make it easier to peel the labels from the backing.

Butt cut labels are cut flush to one another, with no extra area between them. Avoid using butt cut labels without a stripped edge matrix.

Die-cut labels are cut with a non-print area between each label. For best results, do not print within 2.3 mm (0.090 in.) of the edge of the label, of the perforations, or of the die-cuts of the label.

If you are using a butt cut or die-cut label, make sure adhesive contamination does not occur. Labels use varying levels and types of adhesive, as well as a variety of liner materials and face stocks. Adhesive can ooze with all label stocks. Make sure die-cuts are free of adhesive stringers. Zone coating or pattern adhesive with a 1 mm (0.04 in.) or larger non-adhesive border provides the greatest protection from adhesive contamination.

If zone coating is not used, we recommend a stripped edge matrix. The stripped edge matrix varies with the type of face stock, liner, and adhesive materials. See the following table for stripped edge matrix guidelines. Measurements may vary ± 0.5 mm.

Stripped edge matrix guidelines

Face type	Total weight of label	Edge matrix removal	Location of strip
Paper ¹ (Cut Sheet or Dual Web)	140–180 g/m ²	1.6 mm (0.0625 in.) 1.6 mm (0.0625 in.)	215.9 mm (8.5 in.) at leading edge 279.4 mm (11.0 in.) at driver edge
Vinyl	265–300 g/m ²	3.0 mm (0.125 in.) ² 2.4 mm (0.094 in.)	215.9 mm (8.5 in.) at leading edge 279.4 mm (11.0 in.) at driver edge
Polyester and other face materials	Varies	3.0 mm (0.125 in.) ² 2.4 mm (0.094 in.)	215.9 mm (8.5 in.) at leading edge 279.4 mm (11.0 in.) at driver edge

¹ Use a non-oozing adhesive.

² Must be 1.6 mm (0.0625 in.) in some circumstances. See **Vinyl and polyester labels on page 21**.

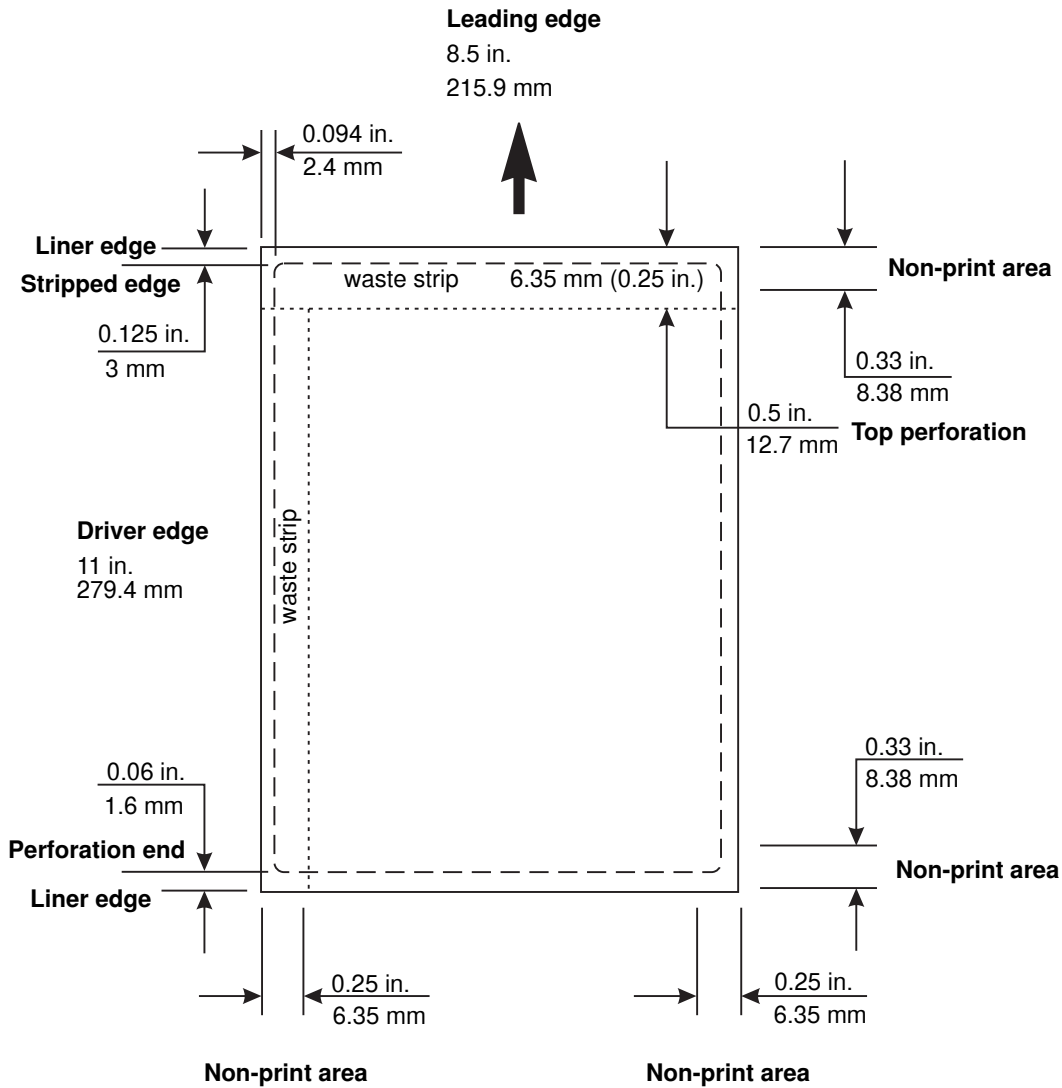
Label design guidelines

Using cut sheet labels with adhesive applied to the edge of the sheet will contaminate your printer and your cartridge and could void your printer and cartridge warranties.

When using pressure-sensitive materials without zone coating, choose butt cut labels without any stringers and with a stripped edge matrix. If a total strip matrix is in the design for the final product, print before removing the matrix. If the matrix must be removed before printing, round all corners and make sure adhesive is not exposed.

Figure 3 on page 18 illustrates a recommended label design for Optra plus printers as well as the 4039, 4029, and 4019 laser printers. The Non-print area may vary, depending on the printer model.

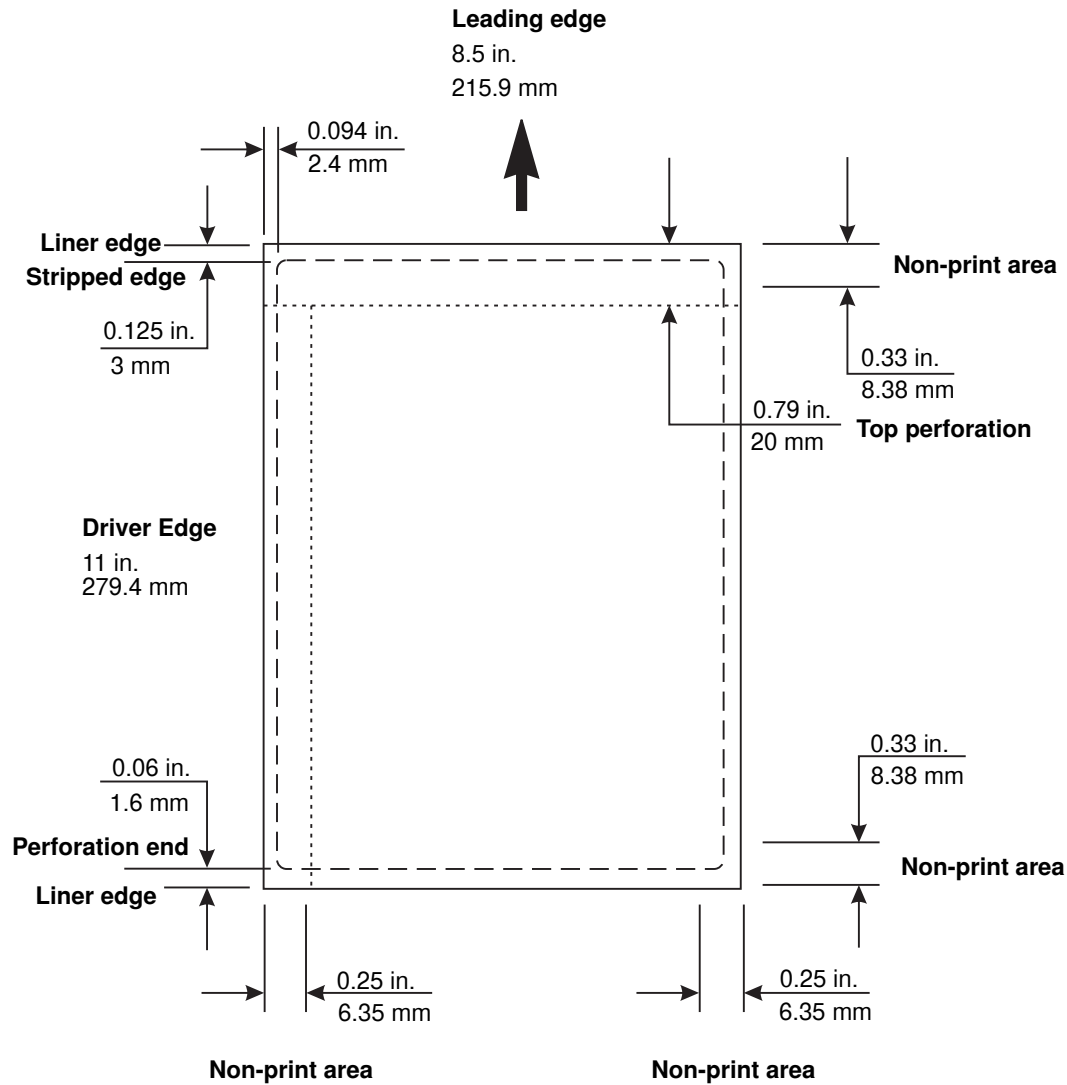
Figure 4 on page 19 illustrates a recommended label design for Optra S, Optra T, and Lexmark T laser printers, which use a different paper picking mechanism.



(Not drawn to scale)

Figure 3. Design guidelines, vinyl label for Optra plus, 4039, 4029, and 4019 printers

Label design guidelines



(Not drawn to scale)

Figure 4. Design guidelines, vinyl label for Optra S, Optra T, and Lexmark T printers

Cut sheet paper labels

Generally, cut sheet paper labels work well with your printer. Coating or *sizing* to make the paper liquid-resistant decreases toner adhesion and increases the risk of toner contaminating the fuser. At a minimum, paper labels should be equivalent in weight and rigidity to a 20 lb xerographic, bond paper.

Dual web forms

Constructing dual web forms involves joining together rolls of two different materials (usually pressure-sensitive paper and bond paper) and then converting to a cut sheet product. This construction requires a stripped edge matrix. The liner must be rigid enough to withstand the pick force of the printer.

The two materials must be thin enough for the sheet to lie flat in the paper tray. Orient the form in the tray so that the pressure-sensitive area feeds into the printer first. The form should have no adhesive exposed in the overlay area or anywhere along the front or back of the form. We recommend designing a non-adhesive strip with a minimum width of 1 mm (0.04 in.) along the edges of the overlay.

To help prevent material from slipping in the fuser, we recommend *knurling*, which roughens up the exposed silicon area at the glue joint.

See **Figure 5 on page 20** for an illustration of the recommended dual web form design. The Non-print area may vary, depending on the printer model.

The face sheet of a dual web form is usually a paper pressure-sensitive product; therefore, the guidelines for paper labels are applicable to dual web forms.

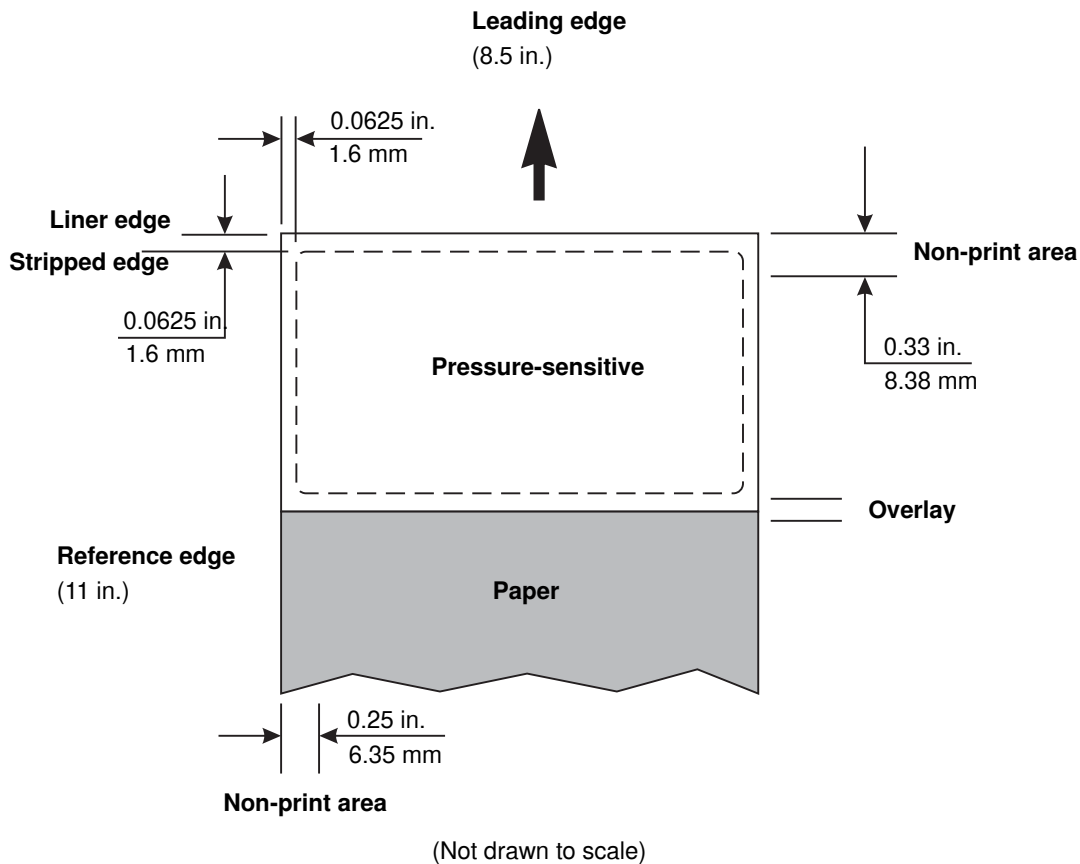


Figure 5. Design guidelines, dual web form

Vinyl and polyester labels

Vinyl labels work well within specified design parameters. Vinyls are heat-sensitive, so the liners need to be thick enough to absorb excess heat and prevent melting. A total strip matrix may cause adhesive contamination. Thin liners or weak pull strength may lead to labels peeling off the form inside the printer, which will require printer servicing. See **Figure 3 on page 18** for an illustration of a vinyl label design for Optra plus printers and **Figure 4 on page 19** for Optra S, Optra T, and Lexmark T printers.

As illustrated on **page 19**, a leading and trailing edge stripped area is recommended to be a maximum of 3 mm. This area is recommended to prevent adhesive being close to the edge, which can contaminate your printer. Certain materials used in label construction, which have liner face melt temperatures lower than the fuser temperature, may require the leading and trailing edge stripped areas to be 1.6 mm maximum due to feeding problems. It is preferred that the liner face be constructed with material that can withstand our fuser temperatures, which eliminates the need for changing the stripped areas from 3 mm to 1.6 mm. If a 1.6 mm stripped area is used, it is very important that the 1.6 mm tolerance be held tightly. With a stripped area of less than 1.6 mm, it is highly possible that adhesive contamination will occur.

Vinyls are non-absorbing, which leads to toner build-up in the fuser that requires special maintenance. See “maintenance procedures” in the index for specific information about maintaining your printer. Vinyls may require a topcoat to ensure good toner adhesion.

Polyester labels are less heat-sensitive but are also non-absorbing. Backings for polyester labels can be thinner, but requirements for coatings and cleaning are similar to vinyl labels.

It is recommended that when you run vinyl labels, you install a special oil fuser cleaner, P/N 99A0725 or 40X2665. When you order a new cartridge, be sure to order the cartridge that will include the correct fuser cleaner.

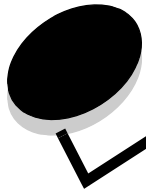
Integrated forms

To create *integrated forms*, the converter uses hot melt adhesives to apply the label adhesive and liner to a base material (generally paper). *Oil bleed*, recognizable by a discolored face sheet, can be a problem with these forms. Oil may also migrate from the top of the liner to the back surface of the liner while it is on the roll, before the conversion process takes place. The forms created from this material may then be slick, and the pick mechanism of your printer may be unable to successfully move all the sheets from the tray into the printer. Jamming and misfeeds increase when oil is present on the back of the liner.

The adhesive on these forms is commonly patterned on two or four sides (that is, the forms have a non-adhesive border on either two or four edges). We recommend designing a 1 mm (0.04 in.) non-adhesive border (zone coated) on all four sides.

When printing on integrated forms with a long grain base material, orient the form in the tray so the paper portion of the form feeds into the printer first. Orient the pressure-sensitive portion of the form toward the portrait left edge. For integrated forms with a short grain base material, orient the form in the tray so the pressure-sensitive portion feeds into the printer first.

Due to the unique construction of integrated forms, you may experience stacking problems in the output bin. Test some forms before purchasing large quantities. Contact your Lexmark marketing representative if you experience stacking problems with these forms.



Printer specifications

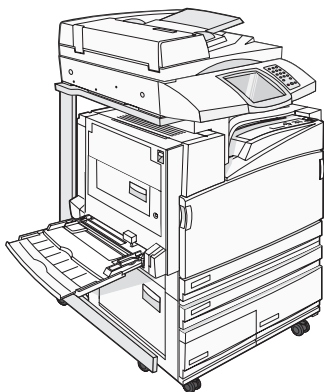
To locate your printer, select one of the links in the Models column or go to the page number.

Model series	Models
C series	Lexmark C510 on page 63 Lexmark C520, C522, C524 on page 51 Lexmark C530, C532, and C534 on page 29 Lexmark C720 on page 69 Lexmark C750 on page 71 Lexmark C752 on page 75 Lexmark C760, C762 on page 41 Lexmark C770, C772, C780, and C782 on page 33 Lexmark C910 on page 79 Lexmark C912 on page 61 Lexmark C920 on page 54 Lexmark C935 on page 25 Optra C710 on page 110
E series	Lexmark E120 on page 85 Lexmark E220 on page 81 Lexmark E230, E232, E234(n), E330, and E332n on page 84 Lexmark E238, E240, E240n, E340, E342n on page 40 Lexmark E250, E350, E450n on page 32 Lexmark E320, E322 on page 82 Lexmark E321, E323 on page 83 Optra E310, E312 on page 113 Optra E, Ep on page 114 Optra Es special media printer on page 115
Optra series	Optra C on page 109 Optra C710 on page 110 Optra Color 1200 on page 112 Optra E310, E312 on page 113 Optra E, Ep on page 114 Optra Es special media printer on page 115 Optra K 1220 on page 117 Optra M410, M412 on page 118 Optra N on page 120 Optra plus, 4039, 4029, 4019, WinWriter 600 printers on page 121 Optra S on page 125 Optra SC 1275 on page 131 Optra T on page 132 Optra W810 on page 137
T series	Lexmark T430 on page 86 Lexmark T420 on page 88 Lexmark T520, T522 on page 91 Lexmark T620, T622, Lexmark T630, T632, T634 on page 101 Lexmark T640, T642, T644 on page 56 Optra T on page 132
W series	Optra W810 on page 137 Lexmark W812 on page 106 Lexmark W820 on page 107 Lexmark W840 on page 60

Printer specifications

Model series	Models
WinWriter™ 600	Optra plus, 4039, 4029, 4019, WinWriter 600 printers on page 121
X series	Lexmark X215 on page 67 Lexmark X422 on page 65 Lexmark X500 and X502n on page 27 Lexmark X644e, X646e on page 45 Lexmark X642e on page 36 Lexmark X850, X852e, X854e on page 49 Lexmark X940, X945 on page 24

Lexmark X940, X945



Limit label printing to occasional use of A4 or letter size paper office labels designed for laser printers. We do not recommend using vinyl or polyester labels.

The Lexmark X940 and X945 support stocks up to 216 g/m². *Always* feed labels and card stock from trays 1, 2, or 3. When printing on card stock, we recommend using grain long card stock.

The following table lists the maximum basis weights supported by the trays and the multipurpose feeder.

Note: Scanning large quantities of labels is *not* recommended.

Lexmark X940 and X945: Overview of card stock and label support

	Trays 1	Trays 2, 3	Multipurpose feeder
Labels	105 g/m ²	216 g/m ²	216 g/m ²
Card stock	105 g/m ²	216 g/m ²	216 g/m ²

Media specifications

Labels	Width:	210 to 216 mm (8.3 to 8.5 in.)
	Length:	279 to 356 mm (11 to 11.7 in.)
	Weight:	120 to 128 g/m ²
	Thickness:	0.13 to 0.20 mm (0.005 to 0.008 in.)
	Smoothness:	100 to 400 Sheffield*

* 150–250 Sheffield is optimal. Using media higher than 300 Sheffield could result in printing degradation.

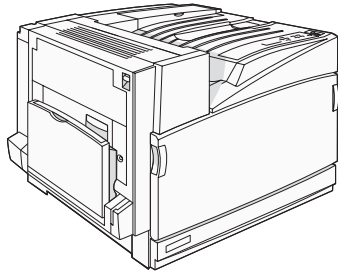
Card stock	Width:	210 to 216 mm (8.3 to 8.5 in.)
	Length:	279 to 356 mm (11 to 11.7 in.)
	Weight:	Up to 216 g/m ²

When printing on labels:

- Set the Paper Type to Labels in the Paper Menu.
- Do not use label sheets with a slick backing material.
- Do not print within 1 mm (0.04 in.) of the die cut, the edge of the label or the perforations, or between the die cuts.
- Use full label sheets. Partial sheets may cause labels to peel off during printing, resulting in a paper jam.
- Do not use label sheets that have adhesive to the edge of the sheet. We recommend zone coating of the adhesive at least 1 mm (0.04 in.) away from the edges. Adhesive material may contaminate your printer and could void your warranty.

When printing on card stock:

- Use grain long card stock, and set the Paper Type to Card Stock.
- Do not use card stock that is creased. It may cause paper jams.



Lexmark C935

Limit label printing to occasional use of A4 or letter size paper office labels designed for laser printers. We do not recommend using vinyl or polyester labels.

The Lexmark C935 supports stocks up to 216 g/m². *Always* feed labels and card stock from trays 1, 2, or 3.

The following table lists the maximum basis weights supported by the trays and the multipurpose feeder.

Lexmark C935: Overview of card stock and label support

	Trays 1	Trays 2, 3	Multipurpose feeder
Labels	105 g/m ²	216 g/m ²	216 g/m ²
Card stock	105 g/m ²	216 g/m ²	216 g/m ²

Media specifications

Labels	Width:	210 to 216 mm (8.3 to 8.5 in.)
	Length:	279 to 356 mm (11 to 11.7 in.)
	Weight:	120 to 128 g/m ²
	Thickness:	0.13 to 0.20 mm (0.005 to 0.008 in.)
	Smoothness:	100 to 400 Sheffield*

* 150–250 Sheffield is optimal. Using media higher than 300 Sheffield could result in printing degradation.

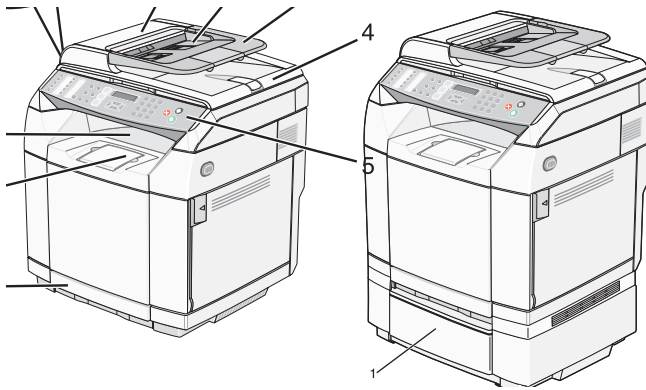
Card stock	Width:	210 to 216 mm (8.3 to 8.5 in.)
	Length:	279 to 356 mm (11 to 11.7 in.)
	Weight:	Up to 216 g/m ²

When printing on labels:

- Set the Paper Type to Labels in the Paper Menu.
- Do not use label sheets with a slick backing material.
- Do not print within 1 mm (0.04 in.) of the die cut, the edge of the label or the perforations, or between the die cuts.
- Use full label sheets. Partial sheets may cause labels to peel off during printing, resulting in a paper jam.
- Do not use label sheets that have adhesive to the edge of the sheet. We recommend zone coating of the adhesive at least 1 mm (0.04 in.) away from the edges. Adhesive material may contaminate your printer and could void your warranty.

When printing on card stock:

- Set the Paper Type to Card Stock.
- Do not use card stock that is creased. It may cause paper jams.
- We recommend the use of grain long card stock.



Lexmark X500 and X502n

Limit label printing to occasional use of paper office labels designed for laser printers. The Lexmark X500 and X500n does not support vinyl or polyester labels.

The Lexmark X500 and X502 supports 24 to 55 lb (90 to 210 g/m²) stock. Card stock and labels are supported from Tray 1, and Tray 2.

Tray 1 supports approximately 120 sheets of card stock and tray 2 supports up to 250 sheets of card stock. The following table lists the maximum basis weights supported.

Lexmark C500 and C500: Overview of card stock and label support

Paper source	Card stock (Grain short is preferred for papers over 135 g/m ²)			Labels*
	Index Bristol	Tag	Cover	Paper
Tray 1 (standard tray)	90 to 210g/m ²	90 to 210g/m ²	90 to 210g/m ²	180 g/m
Tray 2 (optional tray)	90 to 210g/m ²	90 to 210g/m ²	90 to 210g/m ²	180 g/m

* Vinyl labels are not supported.

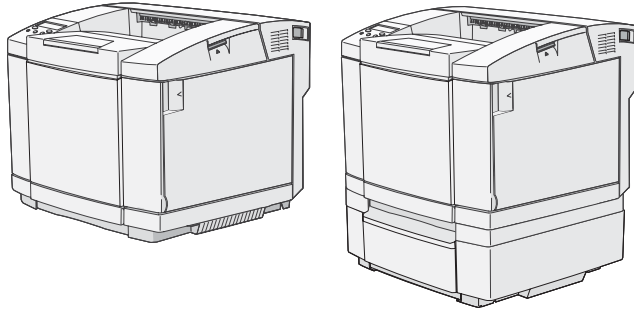
Media specifications

Labels	Width:	76.2 to 216 mm (3 to 8.5 in.)
	Length:	123.8 to 355.6 mm (4.88 to 14 in.)
	Weight:	180 g/m ² (48 lb)
	Thickness:	0.13 to 0.20 mm (0.005 to 0.008 in.)
	Smoothness:	100 to 400 Sheffield*

*150–250 Sheffield is optimal. Using media higher than 300 Sheffield could result in printing degradation.

Card Stock	Weight:	163 g/m ² Index Bristol (90 lb)
		163 g/m ² Tag (100 lb)
Cover Stock	Weight:	Up to 210 g/m ²

For more information on the supported media sizes, see the printer User's Guide on the publications CD.



Lexmark C500n

Limit label printing to occasional use of paper office labels designed for laser printers. The Lexmark C500n does not support vinyl or polyester labels.

The Lexmark C500 supports 24 to 55 lb (90 to 210 g/m²) stock. Card stock and labels are supported from Tray 1, and Tray 2.

Tray 1 supports approximately 120 sheets of card stock and tray 2 supports up to 250 sheets of card stock. The following table lists the maximum basis weights supported.

Lexmark C500n: Overview of card stock and label support

Paper source	Card stock (Grain short is preferred for papers over 135 g/m ²)			Labels*
	Index Bristol	Tag	Cover	Paper
Tray 1 (standard tray)	90 to 210g/m ²	90 to 210g/m ²	90 to 210g/m ²	180 g/m
Tray 2 (optional tray)	90 to 210g/m ²	90 to 210g/m ²	90 to 210g/m ²	180 g/m

* Vinyl labels are not supported.

Media specifications

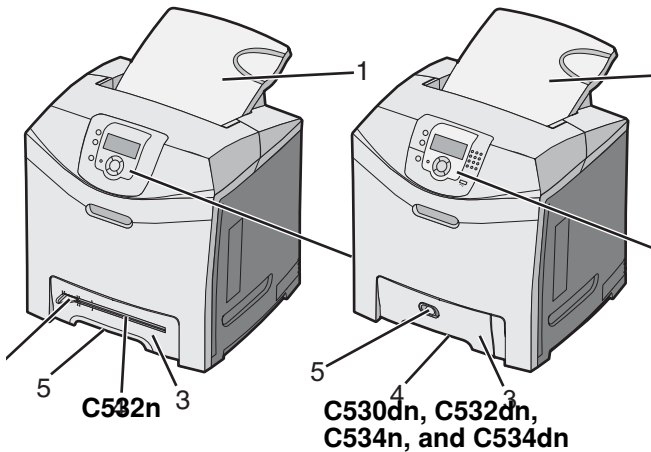
Labels	Width:	76.2 to 216 mm (3 to 8.5 in.)
	Length:	123.8 to 355.6 mm (4.88 to 14 in.)
	Weight:	180 g/m ² (48 lb)
	Thickness:	0.13 to 0.20 mm (0.005 to 0.008 in.)
	Smoothness:	100 to 400 Sheffield*

*150–250 Sheffield is optimal. Using media higher than 300 Sheffield could result in printing degradation.

Card Stock	Weight:	163 g/m ² Index Bristol (90 lb)
		163 g/m ² Tag (100 lb)
Cover Stock	Weight:	Up to 210 g/m ²

For more information on the supported media sizes, see the printer User's Guide on the publications CD.

Lexmark C530, C532, and C534



Limit label printing to occasional use of paper office labels designed for laser printers. The Lexmark C530, C532, and C534 does not support vinyl or polyester labels.

The Lexmark C530, C532, and C534 supports stocks up to 90 lb (163 g/m²). Card stock and labels are supported from Tray 1, Tray 2, the manual feed slot, and the multipurpose feeder.

Tray 1 supports approximately 120 sheets of card stock and tray 2 supports approximately 250 sheets of card stock. The multipurpose feeder supports approximately 50 sheets of card stock or labels and the manual feed slot supports single sheets only. The following table lists the maximum basis weights supported.

Lexmark C530, C532, and C534: Overview of card stock and label support

Paper source	Card stock (grain long/grain short)			Labels*
	Index Bristol	Tag	Cover	Paper
Tray 1 (standard tray)	120 g/m ² /163 g/m ²	120 g/m ² /163 g/m ²	135 g/m ² /176 g/m ²	131 g/m
Tray 2 (optional tray)	120 g/m ² /163 g/m ²	120 g/m ² /163 g/m ²	135 g/m ² /176 g/m ²	131 g/m
Multipurpose feeder Manual feed slot	120 g/m ² /163 g/m ²	120 g/m ² /163 g/m ²	135 g/m ² /176 g/m ²	131 g/m

* Vinyl labels are not supported.

Media specifications

Labels	Width:	76.2 to 216 mm (3 to 8.5 in.)
	Length:	123.8 to 355.6 mm (4.88 to 14 in.)
	Weight:	131 g/m ² (35 lb)
	Thickness:	0.13 to 0.20 mm (0.005 to 0.008 in.)
	Smoothness:	100 to 400 Sheffield*

*150–250 Sheffield is optimal. Using media higher than 300 Sheffield could result in printing degradation.

Card Stock	Weight:	Up to 163 g/m ² Index Bristol (90 lb)
		Up to 163 g/m ² Tag (100 lb)
Cover Stock	Weight:	Up to 176 g/m ²

For more information on the supported media sizes, see the printer User's Guide on the publications CD.

Pick roller technology

The Lexmark C530, C532, and C534 paper feeding mechanism uses advanced technology that enhances feeding reliability. The Lexmark C530, C532, and C534 trays reliably feed all supported media.

The Lexmark C530, C532, and C534 uses an auto compensator to pick the media rather than the corner buckler system used by earlier printer models.

The Lexmark C530, C532, and C534 trays have two rollers that touch the media in two places (see **Figure 14 on page 76**). Avoid placing deep perforations in these areas since the media may nest, causing multiple sheet feeds. Perforations that could cause nesting and tenting should fall outside the 0.31–1.05 in. area on the leading edge of the media. (This is different from the 0.50 in. we recommend leaving at the top of the form for printers with a corner buckler system.) You may want to use micro-perfs to avoid nesting problems. See Perforations and die-cuts on page 8 for more information.

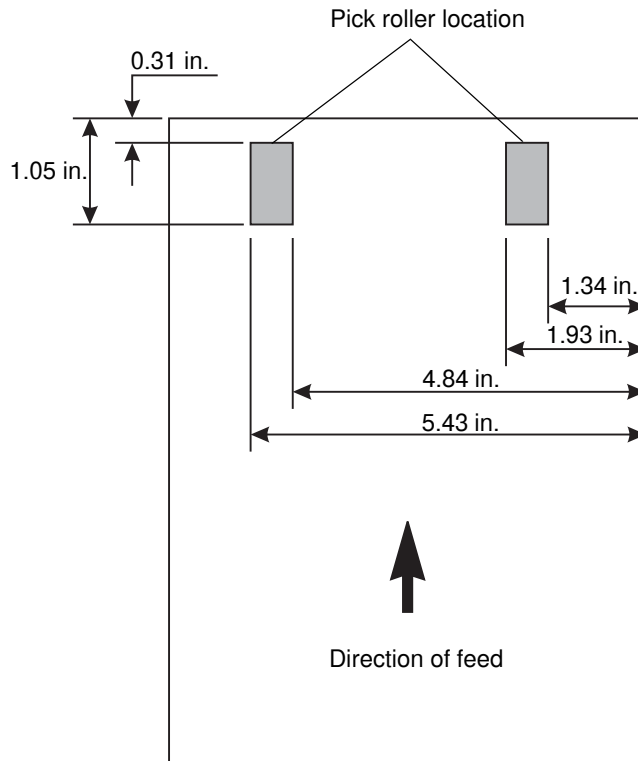
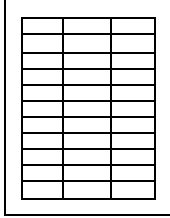


Figure 6. Location of pick rollers

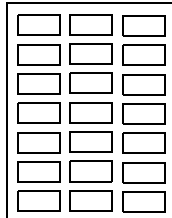
When printing on labels:

- Use only paper labels. Do not use vinyl labels.
- Only use label sheets that have no gaps between the labels.

Acceptable labels



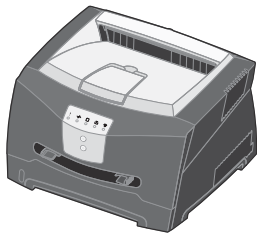
Unacceptable labels



- Recommended labels are Avery 5260.
- From the operator panel or from MarkVision™ Professional, set the Paper Type to Labels.
- Do not print a large number of labels continuously.
- Do not use labels that have coating or sizing applied to make the labels liquid-resistant.
- Do not use labels that have exposed adhesive on the label sheets.

When printing on card stock:

- We recommend using Springhill Index Plus 90 lb card stock.
- For the best print quality, always set the Paper Type to Card Stock.



E250



E350



E450n

Lexmark E250, E350, E450n

Limit label printing to occasional use of paper office labels designed for laser printers. We do not recommend using vinyl or polyester labels.

The printer supports paper and label stock from 60–90 g/m² and index card stock up to 43 lb (163 g/m²). You can load up to 50 label

sheets in tray 1. Card stock must be sent through the manual feeder one sheet at a time.

The following table lists the maximum basis weights supported by Tray 1, Tray 2, and the manual sheet feeder.

Lexmark E250, E350, E450n: Overview of card stock and label support

Paper source	Card Stock			Labels	
	Index Bristol	Tag	Cover	Paper	Vinyl
Tray 1	—	—	—	163 g/m ²	—
Tray 2	—	—	—	163 g/m ²	—
Manual Feed	163 g/m ²	163 g/m ²	—	163 g/m ²	—

Card stock should be short grain and set to exit the rear door.

For paper and transparency specifications, refer to the printer publications CD.

Media specifications

Labels	Width:	89 to 216 mm (3.5 to 8.5)
	Length:	210 to 356 mm (8.27 to 14 in.)
	Weight:	Up to 163 g/m ² (43 lb)
	Thickness:	Up to 0.25 mm (0.01 in.)
	Smoothness:	100 to 400* Sheffield

* 150–250 Sheffield is optimal. Using media higher than 300 Sheffield could result in printing degradation.

Card stock	Weight:	From 60 to 163 g/m ² Index Bristol (16–90 lb)
		From 75 to 163 g/m ² Tag (50–100 lb)

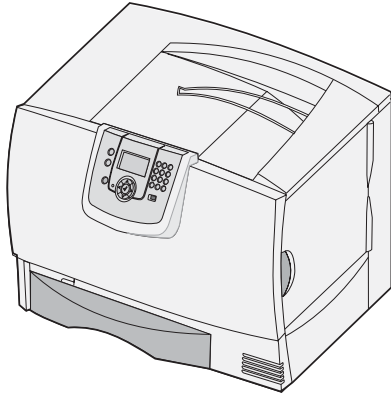
Note: To minimize curl, use the rear exit when printing on card stock and labels.

Maintenance procedures

If the print quality begins to degrade when printing sheets of labels, we suggest you:

Print 5 sheets of paper, wait approximately 5 seconds, then print 5 more sheets of paper.

To maintain printer feeding reliability, repeat this cleaning process every time you replace the print cartridge, or more often with some media. Failure to follow maintenance procedures could cause jamming, poor print quality, feeding problems, and fuser problems.



Lexmark C770, C772, C780, and C782

The Lexmark C770, C772, C780, and C782 prints on many labels designed for use with laser printers.

The following table lists the maximum basis weights supported by the trays and the multipurpose feeder. More detailed specifications appear on the following pages.

Note: The optional 2000-sheet drawer supports paper only.

Lexmark C770, C772, C780, and C782: Overview of card stock and label support

Paper source	Card stock (grain long/grain short)			Labels			
	Index Bristol	Tag	Cover	Paper	Dual-web paper	Polyester	Vinyl ^{1, 2}
500-sheet drawers	120 g/m ² / 163 g/m ²	120 g/m 2/163 g/m ²	135 g/m 2/176 g/m ²	180 g/m ²	220 g/m ²	300 g/m ²	300 g/m ²
Multipurpose feeder	120 g/m ² / 163 g/m ²	120 g/m 2/163 g/m ²	135 g/m 2/176 g/m ²	199 g/m ²	199 g/m ²	220 g/m ²	260 g/m ²

¹ Vinyl labels are supported only when printing environment and media are 20–32.2°C (68–90°F).
² The skew performance of heavy vinyl labels may be enhanced by feeding from an optional 500 sheet drawer if placement of the image is critical.

For paper and transparency specifications, refer to the printer publications CD.

The following table indicates the paper sizes each tray supports

Media specifications

Labels	Thickness:	0.102 to 0.305 mm (0.004 to 0.012 in.)
	Smoothness:	100 to 400* Sheffield

* 150–250 Sheffield is optimal. Using media higher than 300 Sheffield could result in printing degradation.

Standard trays

The Lexmark C770, C772, C780, and C782 paper feeding mechanism uses advanced technology that enhances feeding reliability. The Lexmark C770, C772, C780, and C782 trays, which hold approximately 500 sheets of 20 lb (75 g/m²) bond paper, reliably feed all supported media.

Pick roller technology

The Lexmark C770, C772, C780, and C782 uses an auto compensator to pick the media rather than the corner buckler system used by earlier printer models.

The Lexmark C770, C772, C780, and C782 trays have two rollers that touch the media in two places (see **Figure 14 on page 76**). Avoid placing deep perforations in these areas since the media may nest, causing multiple sheet feeds. Perforations that could cause nesting and tenting should fall outside the 0.31–1.05 in. area on the leading edge of the media. (This is different from the 0.50 in. we recommend leaving at the top of the form for printers with a corner buckler)

system.) You may want to use micro-perfs to avoid nesting problems. See Perforations and die-cuts on page 8 for more information.

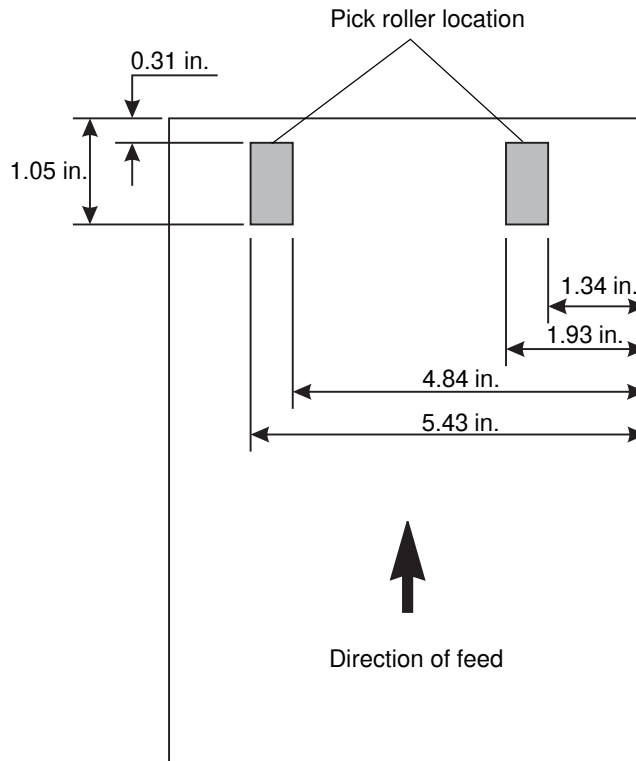


Figure 7. Location of pick rollers

Labels are one of the most difficult print materials for laser printers. A fuser equipped with a web oiler may be required for label applications to optimize feed reliability. If you print large quantities of labels or other glossy print media, install a web oiler upgrade kit P/N 40X1856. Contact your local service representative for ordering information.

When printing on labels:

- Using the printer operator panel, set the Paper Type to Labels in the Paper Menu. For vinyl and other heavy labels, set the Labels Weight (under the Paper Weight menu) to Heavy, and set the Labels Texture (under the Paper Texture menu) to Smooth.
- Do not load labels together with paper or transparencies in the same paper tray. Combining print materials can cause feeding problems.
- Use full label sheets. Partial sheets may cause labels to peel off during printing, resulting in a paper jam. Adhesive material may contaminate your printer. It could also void your printer and cartridge warranties.

When feeding labels, the number of labels per sheet can affect registration more than basis weight. Typically, the more labels per sheet, the better the registration.

When printing on card stock:

- Set the Paper Type to Card Stock in the Paper Menu.
- Do not use card stock that is creased. It may cause paper jams.

Maintenance procedures

If the print quality begins to degrade when printing sheets of vinyl labels, we suggest you follow the three cleaning steps below:

- 1** Print 5 sheets of paper.
- 2** Wait approximately 5 seconds.
- 3** Print 5 more sheets of paper.

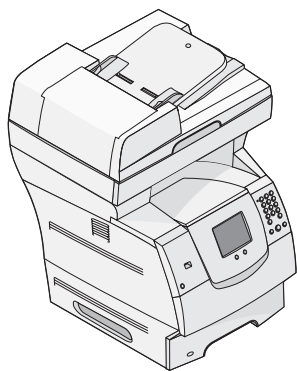
To maintain printer feeding reliability, repeat this cleaning process every time you replace the black print cartridge, more often with some media. Failure to follow maintenance procedures could cause jamming, poor print quality, feeding problems, and fuser problems.

Troubleshooting

The following table provides solutions for some common card stock and label problems. See your printer documentation for more troubleshooting information.

Solutions to printing problems

Problem	Solution
Print on heavy stock is blurred or out of focus.	Make sure the Paper Type setting is appropriate for your print material. (Card stock in excess of 203 g/m [54 lb bond] may not produce acceptable print results.)
	Print 5 sheets of paper, wait approximately 5 seconds, and then print 5 more sheets of paper to remove any toner that may have accumulated.
Toner rubs off the page.	Make sure the Paper Type setting is appropriate for your print material.
	Use a lighter weight stock. (The material being used exceeds 300 g/m ²).
	Print 5 sheets of paper, wait approximately 5 seconds, and then print 5 more sheets of paper to remove any toner that may have accumulated.
Printing shows voids.	Change the Paper Type to Plain Paper.
	Print 5 sheets of paper, wait approximately 5 seconds, and then print 5 more sheets of paper to remove any toner that may have accumulated.



Lexmark X642e

The Lexmark X642e prints on many labels designed for use with laser printers.

The following table lists the maximum basis weights supported by the trays and the multipurpose feeder. More detailed specifications appear on the following pages.

Note: Scanning labels through the ADF is not recommended.

Lexmark X642e: Overview of card stock and label support

Paper source	Grain direction	Card stock			Labels ¹			
		Index Bristol	Tag	Cover	Paper	Dual-web paper	Polyester	Vinyl
Integrated tray	(grain long) (grain short)	163 g/m ² 199 g/m ²	163 g/m ² 203 g/m ²	176 g/m ² 216 g/m ²	180 g/m ²	180 g/m ²	220 g/m ²	300 g/m ²
Optional 250-sheet drawer	(grain long) (grain short)	120 g/m ² 163 g/m ²	120 g/m ² 163 g/m ²	135 g/m ² 176 g/m ²	163 g/m ²	163 g/m ²	220 g/m ²	260 g/m ²
Optional 500-sheet drawer	(grain long) (grain short)	163 g/m ² 199 g/m ²	163 g/m ² 203 g/m ²	176 g/m ² 216 g/m ²	180 g/m ²	180 g/m ²	220 g/m ²	300 g/m ²
Multipurpose feeder ²	(grain long) (grain short)	120 g/m ² 163 g/m ²	120 g/m ² 163 g/m ²	135 g/m ² 176 g/m ²	163 g/m ²	163 g/m ²	220 g/m ²	260 g/m ²

¹ Printing labels on the X642e, require a special label fuser cleaner that prevents duplexing.

It is recommended that when you run vinyl labels, you install a special oil fuser cleaner, P/N 40X2665. When you order a new label cartridge, order the X644H01A high yield return print cartridge or X644X01A extra high yield print cartridge.

It is possible to duplex certain labels that have been specifically designed for this application. To duplex labels, consult the Lexmark "Converter Lists" to see which converters have successfully developed this type of label, and you must install a special fuser wiper. The wax wiper that is used with the X642e is P/N 40X2666 (Cartridges designed for duplex label printing contain two wax wipers. Change the wax wiper at the halfway point of your normal cartridge usage to provide additional cleaning and optimize performance.)

² Due to label design characteristics, unacceptable feeding may be experienced from the multipurpose feeder.

Media specifications

Labels Thickness: 0.102 to 0.305 mm (0.004 to 0.012 in.)
 Smoothness: 100 to 400* Sheffield

* 150–250 Sheffield is optimal. Using media higher than 300 Sheffield could result in printing degradation.

Card stock Weight: Up to 199 g/m² Index Bristol (90 lb)
 Up to 203 g/m² Tag (100 lb)

Standard trays and special trays

The Lexmark X642e paper feeding mechanism uses advanced technology that enhances feeding reliability. The standard Lexmark X642e tray holds 250 or 500 sheets of bond paper and reliably feeds all media tested according to the guidelines specified under Dimensions on page 7.

For those difficult-to-print sizes, such as 3-inch x 5-inch index cards, Lexmark offers a variety of special media trays and drawers.

Note: Optional 250-sheet Universally Adjustable Trays can be used to print forms with a minimum length of 5 inches when installed either in the integral tray location or in a 250-sheet drawer under a 250-sheet integral tray. Less than 7 inches is not supported from a 400-sheet universally adjustable tray..

Standard and special trays

Source	Part number
250-Sheet Mild Special Media Tray	20G1237
250-Sheet Aggressive Special Media Tray	20G1230
250-Sheet Mild Special Media Drawer	20G1236
250-Sheet Aggressive Special Media Drawer	20G1229
250-Sheet Universally Adjustable Tray	20G1224
250-Sheet Universally Adjustable Drawer	20G1223
500-Sheet Mild Special Media Tray	20G1240
500-Sheet Mild Special Media Tray + Drawer	20G1239
500-Sheet Aggressive Special Media Tray	20G1227
500-Sheet Aggressive Special Media Tray + Drawer	20G1226
400-Sheet Universally Adjustable Tray	20G1217
400-Sheet Universally Adjustable Tray + Drawer	20G1218

Pick roller technology

The Lexmark X642e printer uses an auto compensator to pick the media from the tray. The auto compensator has two rollers that touch the media (see **Figure 17 on page 103**). Avoid placing deep perforations in these areas since the media may nest, causing multiple sheet feeds. Perforations that could cause nesting and tenting should fall outside the 0.3–0.79 in. area on the leading edge of the media. (This is different from the 0.50 in. we recommend leaving at the top of the form for printers with a corner buckler system.) You may want to use micro-perfs to avoid nesting problems. See Perforations and die-cuts on page 8 for more information.

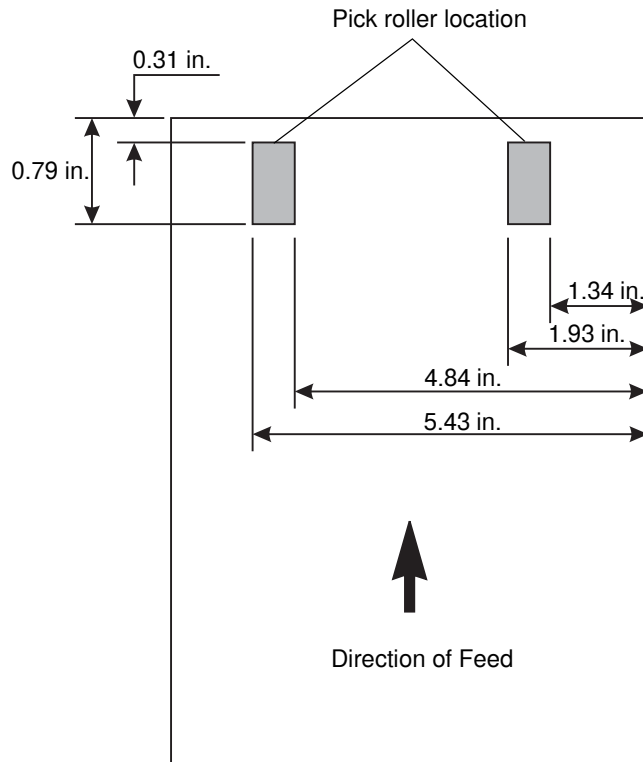


Figure 8. Location of pick rollers

Label printing

Labels are one of the most difficult print materials for laser printers. A special fuser cleaner should be used for label applications to optimize feed reliability. See your printer documentation for information on ordering additional label fuser cleaners.

When printing on labels:

- Set the Paper Type to Labels in the Paper Menu. For vinyl and other heavy labels, set the Paper Type to Vinyl Labels.

Note: When Paper Type is set to Vinyl Labels, the printer reduces the printing speed to ensure acceptable printing.

- Do not load labels together with paper or transparencies in the same paper tray. Combining print materials can cause feeding problems.
- Use full label sheets. Partial sheets may cause labels to peel off during printing, resulting in a paper jam. Adhesive material may contaminate your printer. It could also void your printer and cartridge warranties.

When feeding labels, the number of labels per sheet can affect registration more than basis weight. Typically, the more labels per sheet, the better the registration.

When printing on card stock:

- Set the Paper Type to Card Stock in the Paper Menu.
- Do not use card stock that is creased. It may cause paper jams.

Grain direction

Grain refers to the alignment of the paper fibers in a sheet of paper. Grain is either grain long, running the length of the paper, or grain short, running the width of the paper.

For 60 to 135 g/m² paper, we recommend grain long stock. For papers heavier than 135 g/m², grain short is preferred. For the multipurpose feeder, we recommend 60 to 135 g/m² paper, grain long. If you feed papers heavier than 135 g/m² from the multipurpose feeder, grain short is preferred. For more information about grain direction, see Grain orientation on page 11.

Maintenance procedures

If the print quality begins to degrade when printing sheets of vinyl labels, we suggest you follow the three cleaning steps below:

- 1** Print 5 sheets of paper.
- 2** Wait approximately 5 seconds.
- 3** Print 5 more sheets of paper.

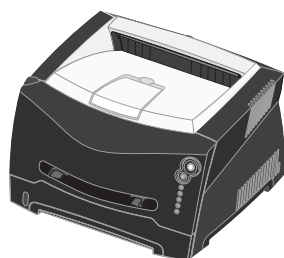
To maintain printer feeding reliability, repeat this cleaning process every time you replace the print cartridge, more often with some media. Failure to follow maintenance procedures could cause jamming, poor print quality, feeding problems, and fuser problems.

Troubleshooting

The following table provides solutions for some common card stock and label problems. See your printer documentation for more troubleshooting information.

Solutions to printing problems

Problem	Solution
Print on heavy stock is blurred or out of focus.	Make sure the Paper Type, Paper Weight, and Paper Texture settings are appropriate for your print material. (Card stock in excess of 203 g/m ² may not produce acceptable print results.)
	Print 5 sheets of paper, wait approximately 5 seconds, and then print 5 more sheets of paper to remove any toner that may have accumulated.
Toner rubs off the page.	Make sure the Paper Type setting is appropriate for your print material.
	Use a lighter weight stock. (The material being used exceeds 300 g/m ² .)
	Print 5 sheets of paper, wait approximately 5 seconds, and then print 5 more sheets of paper to remove any toner that may have accumulated.
Printing shows voids.	Change the Paper Type to Plain Paper.
	Print 5 sheets of paper, wait approximately 5 seconds, and then print 5 more sheets of paper to remove any toner that may have accumulated.



E238, E240, E240n



E340, E342n

Lexmark E238, E240, E240n, E340, E342n

Limit label printing to occasional use of paper office labels designed for laser printers. We do not recommend using vinyl or polyester labels.

The printer supports paper and label stock from 60–90 g/m² and index card stock up to 43 lb (163 g/m²). You can load up to 50 label sheets in tray 1. Card stock must be sent through the manual feeder one sheet at a time.

The following table lists the maximum basis weights supported by Tray 1, Tray 2, and the manual sheet feeder.

Lexmark E238, E240, E240n, E340, E342n: Overview of card stock and label support

Paper source	Card Stock			Labels	
	Index Bristol	Tag	Cover	Paper	Vinyl
Tray 1	—	—	—	163 g/m ²	—
Tray 2	—	—	—	163 g/m ²	—
Manual Feed	163 g/m ²	163 g/m ²	—	163 g/m ²	—

Note: The E238 printer does not support a second drawer option.

For paper and transparency specifications, refer to the printer publications CD.

Media specifications

Labels	Width:	89 to 216 mm (3.5 to 8.5)
	Length:	210 to 356 mm (8.27 to 14 in.)
	Weight:	Up to 163 g/m ² (43 lb)
	Thickness:	Up to 0.25 mm (0.01 in.)
	Smoothness:	100 to 400* Sheffield

* 150–250 Sheffield is optimal. Using media higher than 300 Sheffield could result in printing degradation.

Card stock	Weight:	From 120 to 163 g/m ² Index Bristol (16–90 lb)
		From 75 to 163 g/m ² Tag (50–100 lb)

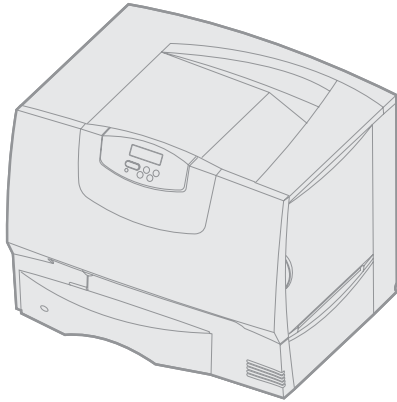
Note: To minimize curl, use the rear exit when printing on card stock and labels.

Maintenance procedures

If the print quality begins to degrade when printing sheets of labels, we suggest you:

Print 5 sheets of paper, wait approximately 5 seconds, then print 5 more sheets of paper.

To maintain printer feeding reliability, repeat this cleaning process every time you replace the print cartridge, or more often with some media. Failure to follow maintenance procedures could cause jamming, poor print quality, feeding problems, and fuser problems.



Lexmark C760, C762

The Lexmark C760 and C762 prints on many labels designed for use with laser printers.

The following table lists the maximum basis weights supported by the trays and the multipurpose feeder. More detailed specifications appear on the following pages.

Note: The optional 2000-sheet drawer supports paper only.

Lexmark C760 and C762: Overview of card stock and label support

Paper source	Card stock			Labels	
	Index Bristol	Tag	Cover	Paper	Vinyl ^{1, 2}
Tray 1	163 g/m ²	163 g/m ²	176 g/m ²	180 g/m ²	300 g/m ²
500-sheet drawer	163 g/m ²	163 g/m ²	176 g/m ²	180 g/m ²	300 g/m ²
Multipurpose feeder	163 g/m ²	163 g/m ²	176 g/m ²	199 g/m ²	260 g/m ²

¹ Vinyl labels are supported only when printing environment and media are 20–32.2°C (68–90°F).
² The skew performance of heavy vinyl labels may be enhanced by feeding from an optional 500 sheet drawer if placement of the image is critical.

For paper and transparency specifications, refer to the printer publications CD.

The following table indicates the paper sizes each tray supports

Media specifications

Labels Thickness: 0.102 to 0.305 mm (0.004 to 0.012 in.)
 Smoothness: 100 to 400* Sheffield

* 150–250 Sheffield is optimal. Using media higher than 300 Sheffield could result in printing degradation.

Standard trays

The Lexmark C760 and C762 paper feeding mechanism uses advanced technology that enhances feeding reliability. The Lexmark C760 and C762 trays, which hold approximately 500 sheets of 20 lb (75 g/m²) bond paper, reliably feed all supported media.

Pick roller technology

The Lexmark C760 and C762 uses an auto compensator to pick the media rather than the corner buckler system used by earlier printer models.

The Lexmark C760 and C762 trays have two rollers that touch the media in two places (see **Figure 14 on page 76**). Avoid placing deep perforations in these areas since the media may nest, causing multiple sheet feeds. Perforations that could cause nesting and tenting should fall outside the 0.31–1.05 in. area on the leading edge of the media. (This is different from the 0.50 in. we recommend leaving at the top of the form for printers with a corner buckler system.) You may want to use micro-perfs to avoid nesting problems. See Perforations and die-cuts on page 8 for more information.

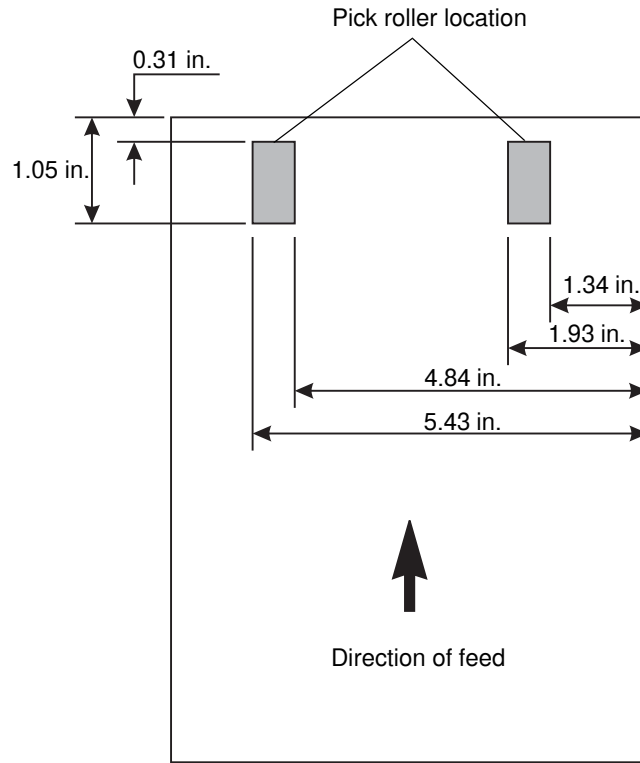


Figure 9. Location of pick rollers

Lexmark C760, C762

Labels are one of the most difficult print materials for laser printers. A fuser equipped with a web oiler may be required for label applications to optimize feed reliability. Contact your local service representative for ordering information.

When printing on labels:

- Using the printer operator panel, set the Paper Type to Labels in the Paper Menu. For vinyl and other heavy labels, set the Labels Weight (under the Paper Weight menu) to Heavy, and set the Labels Texture (under the Paper Texture menu) to Smooth.
- Do not load labels together with paper or transparencies in the same paper tray. Combining print materials can cause feeding problems.
- Use full label sheets. Partial sheets may cause labels to peel off during printing, resulting in a paper jam. Adhesive material may contaminate your printer. It could also void your printer and cartridge warranties.

When feeding labels, the number of labels per sheet can affect registration more than basis weight. Typically, the more labels per sheet, the better the registration.

When printing on card stock:

- Set the Paper Type to Card Stock in the Paper Menu.
- Do not use card stock that is creased. It may cause paper jams.

Print material specifications

Print material		Range or maximum weight supported	
		500-sheet tray and optional 500-sheet drawer	Multipurpose feeder
Paper ³ (grain direction ¹)	Xerographic or business paper	60 to 176 g/m ² (16 to 47 lb bond)	60 to 176 g/m ² (16 to 47 lb bond)
Card stock (grain Long ¹)	Index Bristol	163 g/m ² (90 lb)	163 g/m ² (90 lb)
	Tag	163 g/m ² (100 lb)	163 g/m ² (100 lb)
	Cover	176 g/m ² (65 lb)	176 g/m ² (65 lb)
Card stock (grain Short ¹)	Index Bristol	199 g/m ² (110 lb)	199 g/m ² (110 lb)
	Tag	203 g/m ² (125 lb)	203 g/m ² (125 lb)
	Cover	216 g/m ² (80 lb)	216 g/m ² (80 lb)
Labels	Paper	180 g/m ² (48 lb bond)	199 g/m ² (53 lb bond)
	Dual-web paper	180 g/m ² (48 lb bond)	199 g/m ² (53 lb bond)
	Vinyl ⁴	300 g/m ² (92 lb liner)	260 g/m ² (78 lb liner)
	Polyester	220 g/m ² (59 lb bond)	220 g/m ² (59 lb bond)
Integrated forms	Pressure-sensitive area ²	140 to 175 g/m ²	140 to 175 g/m ²
	Paper base (grain long)	75 to 135 g/m ² (20 to 36 lb bond)	75 to 135 g/m ² (20 to 36 lb bond)

¹ See Grain direction on page 78 for specific recommendations.

² Pressure-sensitive area must enter the printer first.

³ Paper less than 75 g/m² is supported only when the relative humidity is less than 60% and is not supported in duplex.

⁴ Vinyl labels are supported only when printing environment and media are 20–32°C (68–90°F).

Grain direction

Grain refers to the alignment of the paper fibers in a sheet of paper. Grain is either grain long, running the length of the paper, or grain short, running the width of the paper.

For 60 to 135 g/m² (16 to 36 lb bond) paper, we recommend grain long stock. For papers heavier than 135 g/m², grain short is preferred.

Maintenance procedures

If the print quality begins to degrade when printing sheets of vinyl labels, we suggest you follow the three cleaning steps below:

- 1** Print 5 sheets of paper.
- 2** Wait approximately 5 seconds.
- 3** Print 5 more sheets of paper.

To maintain printer feeding reliability, repeat this cleaning process every time you replace the black print cartridge, more often with some media. Failure to follow maintenance procedures could cause jamming, poor print quality, feeding problems, and fuser problems.

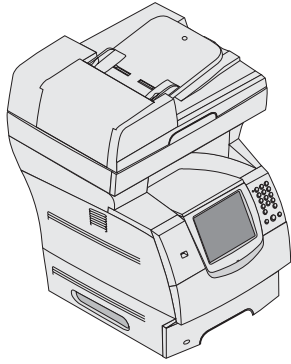
Troubleshooting

The following table provides solutions for some common card stock and label problems. See your printer documentation for more troubleshooting information.

Solutions to printing problems

Problem	Solution
Print on heavy stock is blurred or out of focus.	Make sure the Paper Type setting is appropriate for your print material. (Card stock in excess of 203 g/m [54 lb bond] may not produce acceptable print results.)
	Print 5 sheets of paper, wait approximately 5 seconds, and then print 5 more sheets of paper to remove any toner that may have accumulated.
Toner rubs off the page.	Make sure the Paper Type setting is appropriate for your print material.
	Use a lighter weight stock. (The material being used exceeds 300 g/m ²).
	Print 5 sheets of paper, wait approximately 5 seconds, and then print 5 more sheets of paper to remove any toner that may have accumulated.
Printing shows voids.	Change the Paper Type to Plain Paper.
	Print 5 sheets of paper, wait approximately 5 seconds, and then print 5 more sheets of paper to remove any toner that may have accumulated.

If you print large quantities of labels or other glossy print media, replace the fuser housing with a web oiler (P/N 56P1555 for a 115 V printer or P/N 56P1556 for a 220 V printer).



Lexmark X644e, X646e

The Lexmark X644e and X646e print on many labels designed for use with laser printers.

The following table lists the maximum basis weights supported by the trays and the multipurpose feeder. More detailed specifications appear on the following pages.

Note: Scanning labels through the ADF is not recommended.

Lexmark X644e and X646e: Overview of card stock and label support

Paper source	Grain direction	Card stock			Labels ¹			
		Index Bristol	Tag	Cover	Paper	Dual-web paper	Polyester	Vinyl
Integrated tray	(grain long) (grain short)	163 g/m ² 199 g/m ²	163 g/m ² 203 g/m ²	176 g/m ² 216 g/m ²	180 g/m ²	180 g/m ²	220 g/m ²	300 g/m ²
Optional 250-sheet drawer	(grain long) (grain short)	120 g/m ² 163 g/m ²	120 g/m ² 163 g/m ²	135 g/m ² 176 g/m ²	163 g/m ²	163 g/m ²	220 g/m ²	260 g/m ²
Optional 500-sheet drawer	(grain long) (grain short)	163 g/m ² 199 g/m ²	163 g/m ² 203 g/m ²	176 g/m ² 216 g/m ²	180 g/m ²	180 g/m ²	220 g/m ²	300 g/m ²
Multipurpose feeder ²	(grain long) (grain short)	120 g/m ² 163 g/m ²	120 g/m ² 163 g/m ²	135 g/m ² 176 g/m ²	163 g/m ²	163 g/m ²	220 g/m ²	260 g/m ²

¹ Printing labels on the X644e and X646e, require a special label fuser cleaner that prevents duplexing. It is recommended that when you run vinyl labels, you install a special oil fuser cleaner, P/N 40X2665. When you order a new label cartridge, order the X644H01A high yield return print cartridge or X644X01A extra high yield print cartridge. It is possible to duplex certain labels that have been specifically designed for this application. To duplex labels, consult the Lexmark "Converter Lists" to see which converters have successfully developed this type of label, and you must install a special fuser wiper. The wax wiper that is used with the X644e and X646e is P/N 40X2666 (Cartridges designed for duplex label printing contain two wax wipers. Change the wax wiper at the halfway point of your normal cartridge usage to provide additional cleaning and optimize performance.)

² Due to label design characteristics, unacceptable feeding may be experienced from the multipurpose feeder.

Media specifications

Labels Thickness: 0.102 to 0.305 mm (0.004 to 0.012 in.)
 Smoothness: 100 to 400* Sheffield

* 150–250 Sheffield is optimal. Using media higher than 300 Sheffield could result in printing degradation.

Card stock Weight: Up to 199 g/m² Index Bristol (90 lb)
 Up to 203 g/m² Tag (100 lb)

Standard trays and special trays

The Lexmark X644e and X646e paper feeding mechanism uses advanced technology that enhances feeding reliability. The standard Lexmark X644e, and X646e trays hold 250 or 500 sheets of bond paper and reliably feeds all media tested according to the guidelines specified under Dimensions on page 7.

For those difficult-to-print sizes, such as 3-inch x 5-inch index cards, Lexmark offers a variety of special media trays and drawers.

Note: Optional 250-sheet Universally Adjustable Trays can be used to print forms with a minimum length of 5 inches when installed either in the integral tray location or in a 250-sheet drawer under a 250-sheet integral tray. Less than 7 inches is not supported from a 400-sheet universally adjustable tray..

Standard and special trays

Source	Part number
250-Sheet Mild Special Media Tray	20G1237
250-Sheet Aggressive Special Media Tray	20G1230
250-Sheet Mild Special Media Drawer	20G1236
250-Sheet Aggressive Special Media Drawer	20G1229
250-Sheet Universally Adjustable Tray	20G1224
250-Sheet Universally Adjustable Drawer	20G1223
500-Sheet Mild Special Media Tray	20G1240
500-Sheet Mild Special Media Tray + Drawer	20G1239
500-Sheet Aggressive Special Media Tray	20G1227
500-Sheet Aggressive Special Media Tray + Drawer	20G1226
400-Sheet Universally Adjustable Tray	20G1217
400-Sheet Universally Adjustable Tray + Drawer	20G1218

Pick roller technology

The Lexmark X644e and X646e printers use an auto compensator to pick the media from the tray. The auto compensator has two rollers that touch the media (see **Figure 17 on page 103**). Avoid placing deep perforations in these areas since the media may nest, causing multiple sheet feeds. Perforations that could cause nesting and tenting should fall outside the 0.3–0.79 in. area on the leading edge of the media. (This is different from the 0.50 in. we recommend leaving at the top of the form for printers with a corner buckler system.) You may want to use micro-perfs to avoid nesting problems. See Perforations and die-cuts on page 8 for more information.

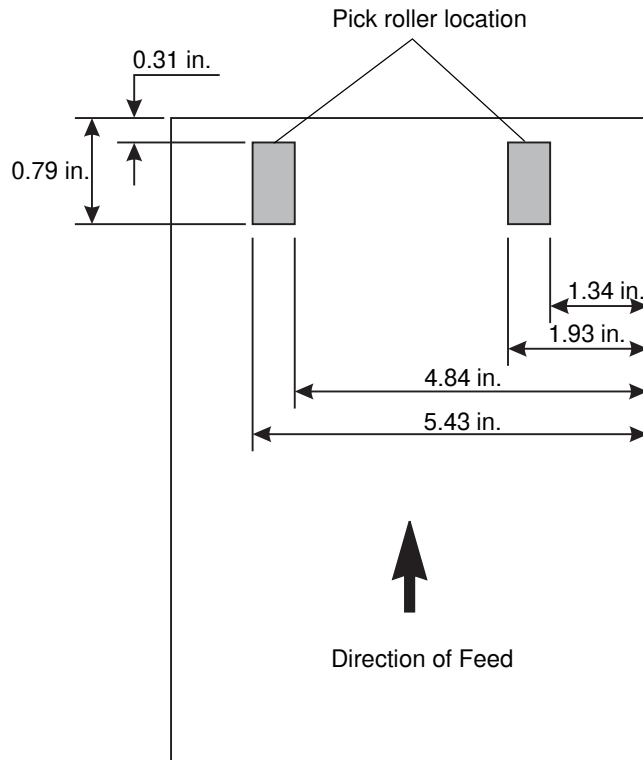


Figure 10. Location of pick rollers

Label printing

Labels are one of the most difficult print materials for laser printers. A special fuser cleaner should be used for label applications to optimize feed reliability. See your printer documentation for information on ordering additional label fuser cleaners.

When printing on labels:

- Set the Paper Type to Labels in the Paper Menu. For vinyl and other heavy labels, set the Paper Type to Vinyl Labels.

Note: When Paper Type is set to Vinyl Labels, the printer reduces the printing speed to ensure acceptable printing.

- Do not load labels together with paper or transparencies in the same paper tray. Combining print materials can cause feeding problems.
- Use full label sheets. Partial sheets may cause labels to peel off during printing, resulting in a paper jam. Adhesive material may contaminate your printer. It could also void your printer and cartridge warranties.

When feeding labels, the number of labels per sheet can affect registration more than basis weight. Typically, the more labels per sheet, the better the registration.

When printing on card stock:

- Set the Paper Type to Card Stock in the Paper Menu.
- Do not use card stock that is creased. It may cause paper jams.

Grain direction

Grain refers to the alignment of the paper fibers in a sheet of paper. Grain is either grain long, running the length of the paper, or grain short, running the width of the paper.

For 60 to 135 g/m² paper, we recommend grain long stock. For papers heavier than 135 g/m², grain short is preferred. For the multipurpose feeder, we recommend 60 to 135 g/m² paper, grain long. If you feed papers heavier than 135 g/m² from the multipurpose feeder, grain short is preferred. For more information about grain direction, see Grain orientation on page 11.

Maintenance procedures

If the print quality begins to degrade when printing sheets of vinyl labels, we suggest you follow the three cleaning steps below:

- 1** Print 5 sheets of paper.
- 2** Wait approximately 5 seconds.
- 3** Print 5 more sheets of paper.

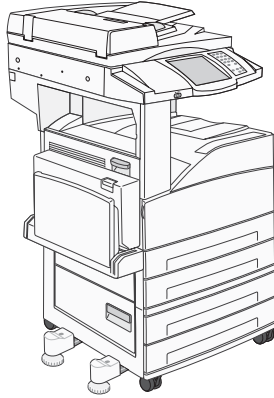
To maintain printer feeding reliability, repeat this cleaning process every time you replace the print cartridge, more often with some media. Failure to follow maintenance procedures could cause jamming, poor print quality, feeding problems, and fuser problems.

Troubleshooting

The following table provides solutions for some common card stock and label problems. See your printer documentation for more troubleshooting information.

Solutions to printing problems

Problem	Solution
Print on heavy stock is blurred or out of focus.	Make sure the Paper Type, Paper Weight, and Paper Texture settings are appropriate for your print material. (Card stock in excess of 203 g/m ² may not produce acceptable print results.)
	Print 5 sheets of paper, wait approximately 5 seconds, and then print 5 more sheets of paper to remove any toner that may have accumulated.
Toner rubs off the page.	Make sure the Paper Type setting is appropriate for your print material.
	Use a lighter weight stock. (The material being used exceeds 300 g/m ² .)
	Print 5 sheets of paper, wait approximately 5 seconds, and then print 5 more sheets of paper to remove any toner that may have accumulated.
Printing shows voids.	Change the Paper Type to Plain Paper.
	Print 5 sheets of paper, wait approximately 5 seconds, and then print 5 more sheets of paper to remove any toner that may have accumulated.



Lexmark X850, X852e, X854e

The Lexmark X850, X852e, and X854e prints on many labels designed for use with laser printers.

The following table lists the maximum basis weights supported by the trays and the multipurpose feeder. More detailed specifications appear on the following pages.

Note: Scanning large quantities of labels is *not* recommended.

Lexmark X850, X852e, and X854e: Overview of card stock support

Paper Source	Card Stock		
	Index Bristol	Tag	Cover
500-sheet trays (grain long)	163 g/m ²	163 g/m ²	176 g/m ²
500-sheet trays (grain short)	199 g/m ²	203 g/m ²	
Manual bypass feeder (grain long)	Up to 163 g/m ²	Up to 163 g/m ²	216 g/m ²
Manual bypass feeder (grain short)			
Manual bypass feeder*	Up to 163 g/m ²	Up to 163 g/m ²	—

Lexmark X850, X852e, and X854e: Overview of label support

Label type	Print media source	
	Paper tray 1 and 2	Manual bypass feeder*
Paper	✓	✓
✓ - indicates support X - indicates no support		

Media specifications

Labels	Width:	210 to 216 mm (8.3 to 8.5 in.)
	Length:	279 to 297 mm (11 to 11.7 in.)
	Weight:	Up to 163 g/m ²
	Thickness:	Up to 0.25 mm (0.01 in.)
	Smoothness:	100 to 400* Sheffield

* 150–250 Sheffield is optimal. Using media higher than 300 Sheffield could result in printing degradation.

Card stock	Weight:	Up to 163 g/m ²
-------------------	---------	----------------------------

Use only materials recommended for use with laser printers.

To prevent specialty media sheets from sticking together, remove each sheet from the output bin as it is printed.

When printing on labels:

- Set the Paper Type to Labels from the printer driver.
- Use standard size products (either A4 or Letter).
- Do *not* use label sheets with a slick backing material.
- Do *not* print within 1 mm (0.040 in.) of the die cut.
- Use full label sheets. Partial sheets may cause labels to peel off during printing, resulting in a paper jam. Partial sheets will also contaminate your printer and your cartridge with adhesive, and could void your printer and cartridge warranties.
- Use labels that can withstand temperatures of 180°C (356°F) without sealing, excessive curling, wrinkling, or releasing hazardous emissions.
- Verify that your label adhesive material can tolerate a fusing temperature of 180°C (356°F) for 0.1 second.
- Use labels that can withstand pressure of 25 pounds per square inch (psi).
- Do *not* print within 1 mm (0.040 in.) of the edge of the label, of the perforations, or between die-cuts of the label.
- Do *not* use label sheets that have adhesive to the edge of the sheet. We recommend zone coating of the adhesive at least 1 mm (0.040 in.) away from edges. Adhesive material will contaminate your printer and could void your warranty.
- If zone coating of the adhesive is not possible, a 3 mm (0.125 in.) strip should be removed on the leading and driver edge, and a non-oozing adhesive should be used.
- Remove a 3 mm (0.125 in.) strip from the leading edge to prevent labels from peeling inside the printer.
- Portrait orientation is preferred, especially when printing bar codes.
- Do *not* use labels that have exposed adhesive.
- Do *not* use labels that are separating from the backing sheet or are wrinkled, bubbled, or otherwise damaged.
- Do *not* load a sheet of labels through the machine more than once.
- Load labels into the manual bypass feeder with the recommended print side faceup and the top edge going in first.

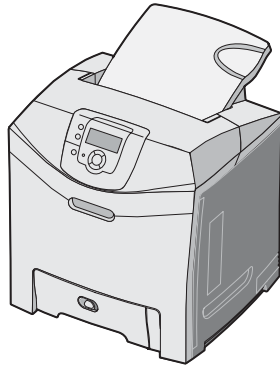
When printing on card stock:

- Set the Paper Type to Card Stock from the printer driver.
- Do *not* use preprinted card stock manufactured with chemicals that may contaminate the printer. Preprinting introduces semi-liquid and volatile components into the printer.
- Do *not* use card stock that is creased. It may cause paper jams.
- We recommend the use of grain short card stock.
- Load card stock into the manual bypass feeder with the recommended print side faceup and the top edge going in first.

Lexmark C520, C522, C524



C520, C522



C524

Limit label printing to occasional use of paper office labels designed for laser printers. The Lexmark C520, C522, and C524 does not support vinyl or polyester labels.

The Lexmark C520, C522, and C524 supports stocks up to 43 lb (163 g/m²). Card stock is supported from Tray 1, Tray 2, the manual feed slot, and the multipurpose feeder. Labels are supported only from the multipurpose feeder and the manual feed slot.

Tray 1 supports approximately 120 sheets of card stock and tray 2 supports approximately 250 sheets of card stock. The multipurpose feeder supports approximately 50 sheets of card stock or labels and the manual feed slot supports accepts single sheets only. The following table lists the maximum basis weights supported by the multipurpose feeder.

Lexmark C520, C522, and C524: Overview of card stock and label support

Paper source	Card stock (grain long/grain short)			Labels*
	Index Bristol	Tag	Cover	Paper
Tray 1 (standard tray)	120 g/m ² /163 g/m ²	120 g/m ² /163 g/m ²	135 g/m ² /176 g/m ²	—
Tray 2 (optional tray)	120 g/m ² /163 g/m ²	120 g/m ² /163 g/m ²	135 g/m ² /176 g/m ²	—
Multipurpose feeder Manual feed slot	120 g/m ² /163 g/m ²	120 g/m ² /163 g/m ²	135 g/m ² /176 g/m ²	135 g/m

* Vinyl labels are not supported.

Media specifications

Labels	Width:	105 to 216 mm (4.1 to 8.5 in.)
	Length:	220 to 297 mm (8.7 to 11.7 in.)
	Weight:	120 to 163 g/m ² (32 to 43 lb)
	Thickness:	0.13 to 0.20 mm (0.005 to 0.008 in.)
	Smoothness:	100 to 400 Sheffield*

*150–250 Sheffield is optimal. Using media higher than 300 Sheffield could result in printing degradation.

Card Stock	Weight:	Up to 163 g/m ² Index Bristol (90 lb)
		Up to 163 g/m ² Tag (100 lb)
Cover Stock	Weight:	Up to 176 g/m ²

For more information on the supported media sizes, see the printer User's Guide on the publications CD.

Pick roller technology

The Lexmark C520, C522, and C524 paper feeding mechanism uses advanced technology that enhances feeding reliability. The Lexmark C520, C522, and C524 trays reliably feed all supported media.

The Lexmark C520, C522, and C524 uses an auto compensator to pick the media rather than the corner buckler system used by earlier printer models.

The Lexmark C760 and C762 trays have two rollers that touch the media in two places (see **Figure 14 on page 76**). Avoid placing deep perforations in these areas since the media may nest, causing multiple sheet feeds. Perforations that could cause nesting and tenting should fall outside the 0.31–1.05 in. area on the leading edge of the media. (This is different from the 0.50 in. we recommend leaving at the top of the form for printers with a corner buckler system.) You may want to use micro-perfs to avoid nesting problems. See Perforations and die-cuts on page 8 for more information.

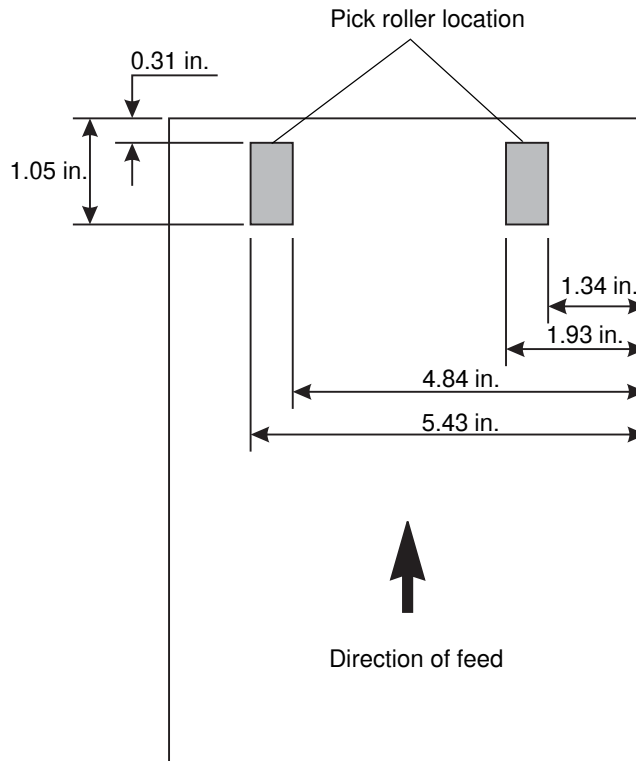
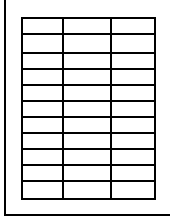


Figure 11. Location of pick rollers

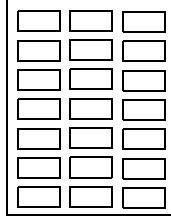
When printing on labels:

- Use only paper labels. Do not use vinyl labels.
- Only use label sheets that have no gaps between the labels.

Acceptable labels



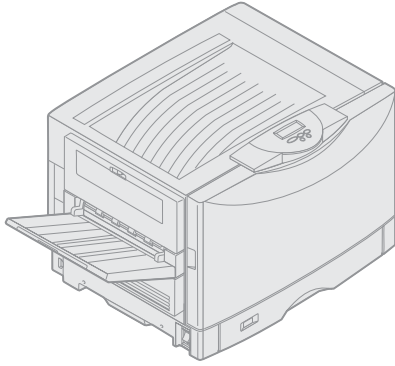
Unacceptable labels



- Recommended labels are Avery 5260.
- From the operator panel or from MarkVision™ Professional, set the Paper Type to Labels.
- Do not print a large number of labels continuously.
- Do not use labels that have coating or sizing applied to make the labels liquid-resistant.
- Do not use labels that have exposed adhesive on the label sheets.

When printing on card stock:

- We recommend using Springhill Index Plus 90 lb card stock.
- For the best print quality, always set the Paper Type to Card Stock.



Lexmark C920

Limit label printing to occasional use of paper office labels designed for laser printers. We do not recommend using vinyl or polyester labels.

The Lexmark C920 supports stocks up to 216 g/m².

The following table lists the maximum basis weights supported by the standard tray and the multipurpose feeder.

Lexmark C920: Overview of card stock and label support

Paper source	Card stock	Labels	
	Index Bristol	Paper	Vinyl
Standard tray	—	180 g/m ²	—
Multipurpose feeder	216 g/m ²	180 g/m ²	300 g/m ²

Media specifications

Labels	Width:	210 to 216 mm (8.3 to 8.5 in.)
	Length:	279 to 297 mm (11 to 11.7 in.)
	Weight:	180 g/m ²
	Thickness:	0.13 to 0.20 mm (0.005 to 0.008 in.)
	Smoothness:	100 to 400 Sheffield*

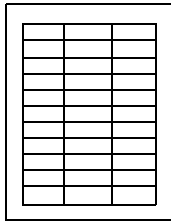
*150–250 Sheffield is optimal. Using media higher than 300 Sheffield could result in printing degradation.

Card stock	Weight:	Up to 216 g/m ²
-------------------	---------	----------------------------

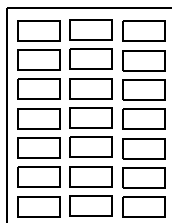
When printing on labels:

- Only use label sheets that have no gaps between the labels.

Acceptable labels



Unacceptable labels



- Set the Paper Type to Labels in the Paper Menu.
- Do not print a large number of labels continuously.
- Do not use labels that have coating or sizing applied to make the labels liquid-resistant.
- Do not use labels that have exposed adhesive on the label sheets.
- We recommend using Avery paper labels.

When printing on card stock:

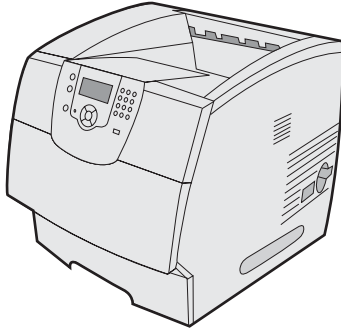
- We recommend using Springhill Index Plus 90 lb card stock.
- For the best print quality, always set the Paper Type to Card Stock in the Paper Menu.

Banner Paper

Lexmark offers 11.69 x 36 in (286.4 x 914mm) banner paper (part number 12A7940). For 11.69 x 48 in (286.4 x 1219.2mm) banner paper, Lexmark recommends contacting a local paper provider/converter to inquire about availability and pricing for banner paper.

For best results, Lexmark recommends using banner paper (11.69 x 48 in) from Hammermill Laser Print 24 lb, 94 brightness, radiant white, acid free.

Rough, highly textured, limp, or pre-curved papers will result in lower print quality and more frequent paper feed failures.



Lexmark T640, T642, T644

The Lexmark T640, T642, and T644 print on many labels designed for use with laser printers.

The following table lists the maximum basis weights supported by the trays and the multipurpose feeder. More detailed specifications appear on the following pages.

Lexmark T640, T642, T644: Overview of card stock and label support

Paper source	Grain direction	Card stock			Labels ¹			
		Index Bristol	Tag	Cover	Paper	Dual-web paper	Polyester	Vinyl
Integrated tray	(grain long) (grain short)	163 g/m ² 199 g/m ²	163 g/m ² 203 g/m ²	176 g/m ² 216 g/m ²	180 g/m ²	180 g/m ²	220 g/m ²	300 g/m ²
Optional 250-sheet drawer	(grain long) (grain short)	120 g/m ² 163 g/m ²	120 g/m ² 163 g/m ²	135 g/m ² 176 g/m ²	163 g/m ²	163 g/m ²	220 g/m ²	260 g/m ²
Optional 500-sheet drawer	(grain long) (grain short)	163 g/m ² 199 g/m ²	163 g/m ² 203 g/m ²	176 g/m ² 216 g/m ²	180 g/m ²	180 g/m ²	220 g/m ²	300 g/m ²
Multipurpose feeder ²	(grain long) (grain short)	120 g/m ² 163 g/m ²	120 g/m ² 163 g/m ²	135 g/m ² 176 g/m ²	163 g/m ²	163 g/m ²	220 g/m ²	260 g/m ²

¹ Printing labels on the T640, T642, and T644 require a special label fuser cleaner that prevents duplexing.

It is recommended that when you run vinyl labels, you install a special oil fuser cleaner, P/N 40X2665. When you order a new cartridge, be sure to order the cartridge that will include the correct fuser cleaner.

It is possible to duplex certain labels that have been specifically designed for this application. To duplex labels, consult the Lexmark "Converter Lists" to see which converters have successfully developed this type of label, and you must install a special fuser wiper. The wax wiper that is used with the T640, T642, and T644 is P/N 40X2666 (Cartridges designed for duplex label printing contain two wax wipers. Change the wax wiper at the halfway point of your normal cartridge usage to provide additional cleaning and optimize performance.)

² Due to label design characteristics, unacceptable feeding may be experienced from the multipurpose feeder.

Media specifications

Labels Thickness: 0.102 to 0.305 mm (0.004 to 0.012 in.)
 Smoothness: 100 to 400* Sheffield

* 150–250 Sheffield is optimal. Using media higher than 300 Sheffield could result in printing degradation.

Card stock Weight: Up to 199 g/m² Index Bristol (90 lb)
 Up to 203 g/m² Tag (100 lb)

Standard trays and special trays

The Lexmark T640, T642, and T644 paper feeding mechanism uses advanced technology that enhances feeding reliability. The standard Lexmark T640, T642, and T644 tray holds 250 or 500 sheets of bond paper and reliably feeds all media tested according to the guidelines specified under Dimensions on page 7.

For those difficult-to-print sizes, such as 3-inch x 5-inch index cards, Lexmark offers a variety of special media trays and drawers.

Note: Optional 250-sheet Universally Adjustable Trays can be used to print forms with a minimum length of 5 inches when installed either in the integral tray location or in a 250-sheet drawer under a 250-sheet integral tray. Less than 7 inches is not supported from a 400-sheet universally adjustable tray.

Standard and special trays

Source	Part number
250-Sheet Mild Special Media Tray	20G1237
250-Sheet Aggressive Special Media Tray	20G1230
250-Sheet Mild Special Media Drawer	20G1236
250-Sheet Aggressive Special Media Drawer	20G1229
250-Sheet Universally Adjustable Tray	20G1224
250-Sheet Universally Adjustable Drawer	20G1223
500-Sheet Mild Special Media Tray	20G1240
500-Sheet Mild Special Media Tray + Drawer	20G1239
500-Sheet Aggressive Special Media Tray	20G1227
500-Sheet Aggressive Special Media Tray + Drawer	20G1226
400-Sheet Universally Adjustable Tray	20G1217
400-Sheet Universally Adjustable Tray + Drawer	20G1218

Pick roller technology

The Lexmark T640, T642, and T644 printers use an auto compensator to pick the media from the tray. The auto compensator has two rollers that touch the media (see **Figure 17 on page 103**). Avoid placing deep perforations in these areas since the media may nest, causing multiple sheet feeds. Perforations that could cause nesting and tenting should fall outside the 0.3–0.79 in. area on the leading edge of the media. (This is different from the 0.50 in. we recommend leaving at the top of the form for printers with a corner buckler system.) You may want to use micro-perfs to avoid nesting problems. See Perforations and die-cuts on page 8 for more information.

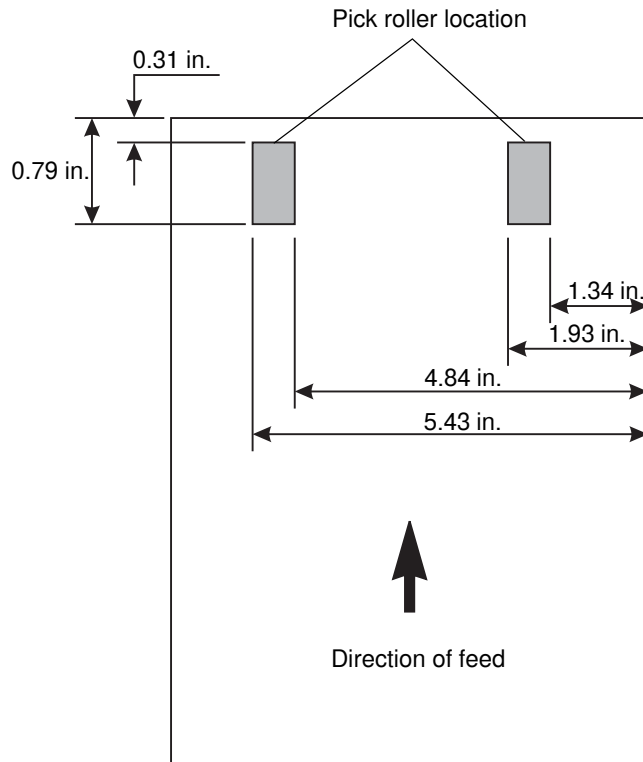


Figure 12. Location of pick rollers

Label printing

Labels are one of the most difficult print materials for laser printers. A special fuser cleaner should be used for label applications to optimize feed reliability. See your printer documentation for information on ordering additional label fuser cleaners.

When printing on labels:

- Set the Paper Type to Labels in the Paper Menu. For vinyl and other heavy labels, set the Paper Type to Vinyl Labels.

Note: When Paper Type is set to Vinyl Labels, the printer reduces the printing speed to ensure acceptable printing.

- Do not load labels together with paper or transparencies in the same paper tray. Combining print materials can cause feeding problems.
- Use full label sheets. Partial sheets may cause labels to peel off during printing, resulting in a paper jam. Adhesive material may contaminate your printer. It could also void your printer and cartridge warranties.

When feeding labels, the number of labels per sheet can affect registration more than basis weight. Typically, the more labels per sheet, the better the registration.

When printing on card stock:

- Set the Paper Type to Card Stock in the Paper Menu.
- Do not use card stock that is creased. It may cause paper jams.

Grain direction

Grain refers to the alignment of the paper fibers in a sheet of paper. Grain is either grain long, running the length of the paper, or grain short, running the width of the paper.

For 60 to 135 g/m² paper, we recommend grain long stock. For papers heavier than 135 g/m², grain short is preferred. For the multipurpose feeder, we recommend 60 to 135 g/m² paper, grain long. If you feed papers heavier than 135 g/m² from the multipurpose feeder, grain short is preferred. For More information about grain direction, see Grain orientation on page 11.

Maintenance procedures

If the print quality begins to degrade when printing sheets of vinyl labels, we suggest you follow the three cleaning steps below:

- 1** Print 5 sheets of paper.
- 2** Wait approximately 5 seconds.
- 3** Print 5 more sheets of paper.

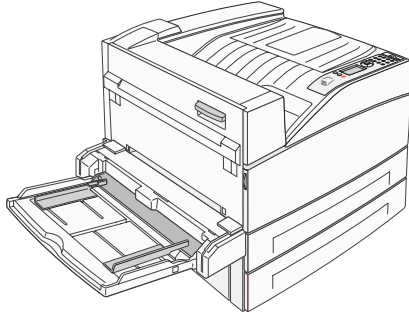
To maintain printer feeding reliability, repeat this cleaning process every time you replace the print cartridge, more often with some media. Failure to follow maintenance procedures could cause jamming, poor print quality, feeding problems, and fuser problems.

Troubleshooting

The following table provides solutions for some common card stock and label problems. See your printer documentation for more troubleshooting information.

Solutions to printing problems

Problem	Solution
Print on heavy stock is blurred or out of focus.	Make sure the Paper Type, Paper Weight, and Paper Texture settings are appropriate for your print material. (Card stock in excess of 203 g/m ² may not produce acceptable print results.)
	Print 5 sheets of paper, wait approximately 5 seconds, and then print 5 more sheets of paper to remove any toner that may have accumulated.
Toner rubs off the page.	Make sure the Paper Type setting is appropriate for your print material.
	Use a lighter weight stock. (The material being used exceeds 300 g/m ² .)
	Print 5 sheets of paper, wait approximately 5 seconds, and then print 5 more sheets of paper to remove any toner that may have accumulated.
Printing shows voids.	Change the Paper Type to Plain Paper.
	Print 5 sheets of paper, wait approximately 5 seconds, and then print 5 more sheets of paper to remove any toner that may have accumulated.



Lexmark W840

Limit label printing to occasional use of A4 or letter size paper office labels designed for laser printers. We do not recommend using vinyl or polyester labels.

The Lexmark W840 supports stocks up to 216 g/m². *Always* feed labels and card stock from trays 1, 2, or 3.

The following table lists the maximum basis weights supported by the trays and the multipurpose feeder.

Lexmark W840: Overview of card stock and label support

	Trays 1	Trays 2, 3	Multipurpose feeder
Labels	105 g/m ²	216 g/m ²	216 g/m ²
Card stock	105 g/m ²	216 g/m ²	216 g/m ²

Media specifications

Labels	Width:	210 to 216 mm (8.3 to 8.5 in.)
	Length:	279 to 356 mm (11 to 11.7 in.)
	Weight:	120 to 128 g/m ²
	Thickness:	0.13 to 0.20 mm (0.005 to 0.008 in.)
	Smoothness:	100 to 400 Sheffield*

* 150–250 Sheffield is optimal. Using media higher than 300 Sheffield could result in printing degradation.

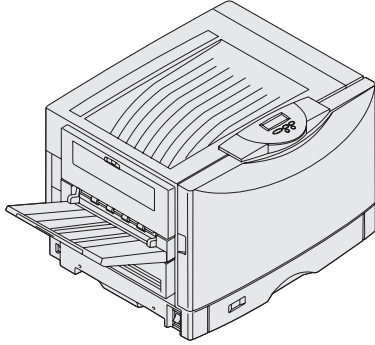
Card stock	Width:	210 to 216 mm (8.3 to 8.5 in.)
	Length:	279 to 356 mm (11 to 11.7 in.)
	Weight:	Up to 216 g/m ²

When printing on labels:

- Set the Paper Type to Labels in the Paper Menu.
- Do not use label sheets with a slick backing material.
- Do not print within 1 mm (0.04 in.) of the die cut, the edge of the label or the perforations, or between the die cuts.
- Use full label sheets. Partial sheets may cause labels to peel off during printing, resulting in a paper jam.
- Do not use label sheets that have adhesive to the edge of the sheet. We recommend zone coating of the adhesive at least 1 mm (0.04 in.) away from the edges. Adhesive material may contaminate your printer and could void your warranty.

When printing on card stock:

- Set the Paper Type to Card Stock.
- Do not use card stock that is creased. It may cause paper jams.
- We recommend the use of grain long card stock.



Lexmark C912

Limit label printing to occasional use of paper office labels designed for laser printers. We do not recommend using vinyl or polyester labels.

The Lexmark C912 supports stocks up to 216 g/m².

The following table lists the maximum basis weights supported by the standard tray and the multipurpose feeder.

Lexmark C912: Overview of card stock and label support

Paper source	Card stock	Labels	
	Index Bristol	Paper	Vinyl
Standard tray	—	180 g/m ²	—
Multipurpose feeder	216 g/m ²	180 g/m ²	300 g/m ²

Media Specifications

Labels	Width:	210 to 216 mm (8.3 to 8.5 in.)
	Length:	279 to 297 mm (11 to 11.7 in.)
	Weight:	180 g/m ²
	Thickness:	0.13 to 0.20 mm (0.005 to 0.008 in.)
	Smoothness:	100 to 400 Sheffield*

*150–250 Sheffield is optimal. Using media higher than 300 Sheffield could result in printing degradation.

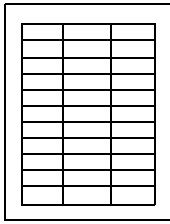
Card stock	Weight:	Up to 216 g/m ²
-------------------	---------	----------------------------

For paper and transparency specifications, refer to the printer publications CD.

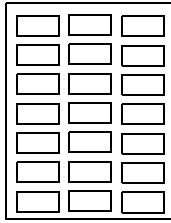
When printing on labels:

- Only use label sheets that have no gaps between the labels.

Acceptable labels



Unacceptable labels



- From the operator panel or from MarkVision™ Professional, set the Paper Type to Labels in the Paper Menu.
- Do not print a large number of labels continuously.
- Do not use labels that have coating or sizing applied to make the labels liquid-resistant.
- Do not use labels that have exposed adhesive on the label sheets.
- We recommend using Avery paper labels.

When printing on vinyl labels:

- From the operator panel or from MarkVision Professional, set the Paper Type to Card Stock in the Paper Menu. Set the CardStock Weight (under the Paper Weight menu) to Heavy.
- Download the vinyl file, vinyl8ppm.npa, from our FTP site and send it to the printer (copy the file to the printer port).

When printing on card stock:

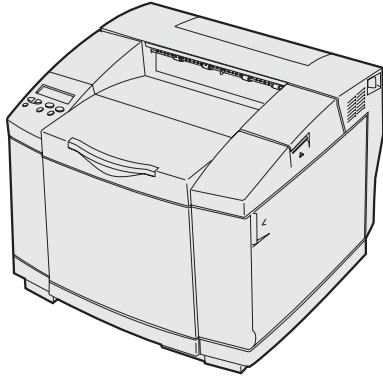
- We recommend using Springhill Index Plus 90 lb card stock.
- For the best print quality, always set the Paper Type to Card Stock in the Paper Menu.

Banner Paper

Lexmark offers 11.69 x 36 in (286.4x914mm) banner paper (part number 12A7940). For 11.69 x 48 in (286.4x1219.2mm) banner paper, Lexmark recommends contacting a local paper provider/converter to inquire about availability and pricing for banner paper.

For best results, Lexmark recommends using banner paper (11.69 x 48 in) from Hammermill Laser Print 24 lb, 94 brightness, radiant white, acid free.

Rough, highly textured, limp, or pre-curved papers will result in lower print quality and more frequent paper feed failures.



Lexmark C510

Limit label printing to occasional use of paper office labels designed for laser printers. The Lexmark C510 does not support vinyl or polyester labels.

The Lexmark C510 supports stocks up to 163 g/m². Feed labels from the standard tray only, which holds up to 80 sheets of labels or up to 120 sheets of card stock.

The following table lists the maximum basis weights supported by the multipurpose feeder.

Lexmark C510: Overview of card stock and label support

Paper source	Card stock			Labels	
	Index Bristol	Tag	Cover	Paper	Vinyl
Tray 1 (standard tray)	163 g/m ²	163 g/m ²	176 g/m ²	—	—
Tray 2 (optional tray)	163 g/m ²	163 g/m ²	176 g/m ²	—	—
Multipurpose feeder	163 g/m ²	163 g/m ²	176 g/m ²	131 g/m ²	—

Media specifications

Labels	Width:	105 to 216 mm (4.1 to 8.5 in.)
	Length:	220 to 297 mm (8.7 to 11.7 in.)
	Weight:	120 to 163 g/m ²
	Thickness:	0.13 to 0.20 mm (0.005 to 0.008 in.)
	Smoothness:	100 to 400 Sheffield*

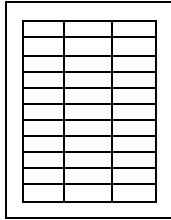
*150–250 Sheffield is optimal. Using media higher than 300 Sheffield could result in printing degradation.

Card stock	Weight:	Up to 163 g/m ² Index Bristol (90 lb)
		Up to 163 g/m ² Tag (100 lb)
Cover stock	Weight:	Up to 176 g/m ² (65 lb)

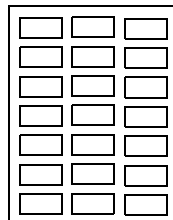
When printing on labels:

- Only feed labels from Tray 1.
- Use only paper labels. Do not use vinyl labels.
- Only use label sheets that have no gaps between the labels.

Acceptable labels



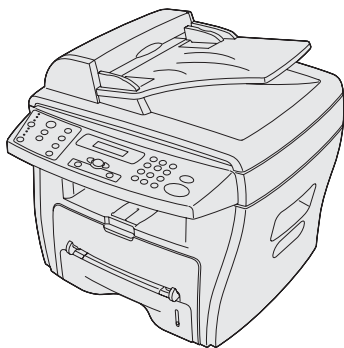
Unacceptable labels



- Recommended labels are Avery 5260.
- From the operator panel or from MarkVision Professional, set the Paper Type to Labels.
- Do not print a large number of labels continuously.
- Do not use labels that have coating or sizing applied to make the labels liquid-resistant.
- Do not use labels that have exposed adhesive on the label sheets.

When printing on card stock:

- Only feed card stock from Tray 1.
- We recommend using Springhill Index Plus 90 lb card stock.
- For the best print quality, always set the Paper Type to Card Stock.



Lexmark X422

The Lexmark X422 prints on many labels designed for use with laser printers.

Card stock and labels must be fed one sheet at a time through the manual bypass feeder.

The following table lists the maximum basis weights supported by the manual bypass feeder.

Note: Scanning large quantities of labels is *not* recommended.

Lexmark X422: Overview of card stock support

Paper source	Card stock	Paper labels
Tray 1 (standard)	60–90 g/m ²	60–90 g/m ²
Multipurpose feeder	60–199 g/m ²	60–199 g/m ²

Use only materials recommended for use with laser printers.

To prevent specialty media sheets from sticking together, remove each sheet from the output bin as it is printed.

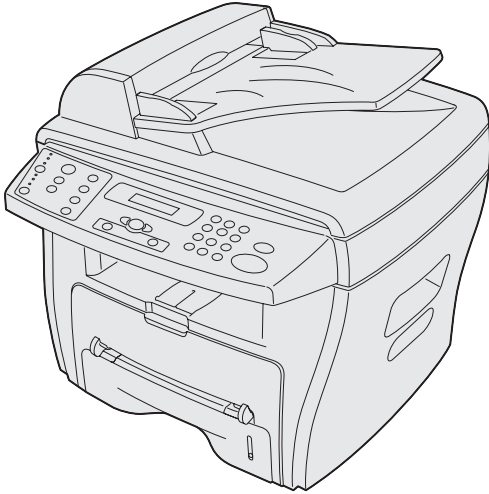
When printing on labels:

- Set the Paper Type to Labels from the printer driver.
- Use standard size products (either A4 or Letter).
- Do *not* use label sheets with a slick backing material.
- Do *not* print within 1 mm (0.040 in.) of the die cut.
- Use full label sheets. Partial sheets may cause labels to peel off during printing, resulting in a paper jam. Partial sheets will also contaminate your printer and your cartridge with adhesive, and could void your printer and cartridge warranties.
- Use labels that can withstand temperatures of 180°C (356°F) without sealing, excessive curling, wrinkling, or releasing hazardous emissions.
- Verify that your label adhesive material can tolerate a fusing temperature of 180°C (356°F) for 0.1 second.
- Use labels that can withstand pressure of 25 pounds per square inch (psi).
- Do *not* print within 1 mm (0.040 in.) of the edge of the label, of the perforations, or between die-cuts of the label.
- Do *not* use label sheets that have adhesive to the edge of the sheet. We recommend zone coating of the adhesive at least 1 mm (0.040 in.) away from edges. Adhesive material will contaminate your printer and could void your warranty.
- If zone coating of the adhesive is not possible, a 3 mm (0.125 in.) strip should be removed on the leading and driver edge, and a non-oozing adhesive should be used.
- Remove a 3 mm (0.125 in.) strip from the leading edge to prevent labels from peeling inside the printer.
- Portrait orientation is preferred, especially when printing bar codes.
- Do *not* use labels that have exposed adhesive.
- Do *not* use labels that are separating from the backing sheet or are wrinkled, bubbled, or otherwise damaged.
- Do *not* load a sheet of labels through the machine more than once.
- Load labels into the manual bypass feeder with the recommended print side faceup and the top edge going in first.

When printing on card stock:

Lexmark X422

- Set the Paper Type to Card Stock from the printer driver.
- Do *not* use preprinted card stock manufactured with chemicals that may contaminate the printer. Preprinting introduces semi-liquid and volatile components into the printer.
- Do *not* use card stock that is creased. It may cause paper jams.
- We recommend the use of grain short card stock.
- Load card stock into the manual bypass feeder with the recommended print side faceup and the top edge going in first.



Lexmark X215

The Lexmark X215 prints on many labels designed for use with laser printers.

Card stock and labels must be fed one sheet at a time through the manual bypass feeder.

The following table lists the maximum basis weights supported by the manual bypass feeder.

Lexmark X215: Overview of card stock support

Paper source	Card stock		
	Index Bristol	Tag	Cover
Manual bypass feeder*	Up to 163 g/m ² (90 lb)	Up to 163 g/m ² (100 lb)	—

* Card stock can only be fed from the manual bypass feeder.

Lexmark X215: Overview of label support

Label type	Print media source	
	Paper tray	Manual bypass feeder*
Paper	X	✓
Integrated	X	X
Dual web	X	X
Vinyl	X	X

✓ - indicates support X - indicates no support

* Labels can only be fed from the manual bypass feeder.

For paper and transparency specifications, see the *Lexmark X215 User's Guide*.

Media specifications

Labels	Width:	210 to 216 mm (8.3 to 8.5 in.)
	Length:	279 to 297 mm (11 to 11.7 in.)
	Weight:	Up to 163 g/m ² (43 lb bond)
	Thickness:	Up to 0.25 mm (0.01 in.)
	Smoothness:	100 to 400* Sheffield

* 150–250 Sheffield is optimal. Using media higher than 300 Sheffield could result in printing degradation.

Media specifications

Card stock	Weight:	Up to 163 g/m ² Index Bristol (90 lb) Up to 163 g/m ² Tag (100 lb)
-------------------	---------	---

Use only materials recommended for use with laser printers.

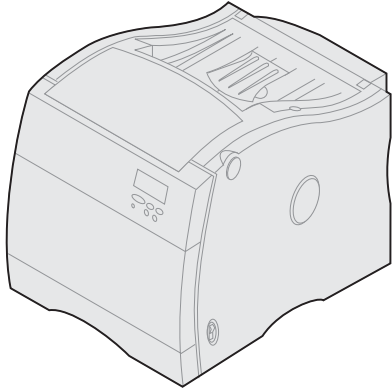
To prevent specialty media sheets from sticking together, remove each sheet from the output bin as it is printed.

When printing on labels:

- Set the Paper Type to Labels from the printer driver.
- Use standard size products (either A4 or Letter).
- Do *not* use label sheets with a slick backing material.
- Do *not* print within 1 mm (0.040 in.) of the die cut.
- Use full label sheets. Partial sheets may cause labels to peel off during printing, resulting in a paper jam. Partial sheets will also contaminate your printer and your cartridge with adhesive, and could void your printer and cartridge warranties.
- Use labels that can withstand temperatures of 180°C (356°F) without sealing, excessive curling, wrinkling, or releasing hazardous emissions.
- Verify that your label adhesive material can tolerate a fusing temperature of 180°C (356°F) for 0.1 second.
- Use labels that can withstand pressure of 25 pounds per square inch (psi).
- Do *not* print within 1 mm (0.040 in.) of the edge of the label, of the perforations, or between die-cuts of the label.
- Do *not* use label sheets that have adhesive to the edge of the sheet. We recommend zone coating of the adhesive at least 1 mm (0.040 in.) away from edges. Adhesive material will contaminate your printer and could void your warranty.
- If zone coating of the adhesive is not possible, a 3 mm (0.125 in.) strip should be removed on the leading and driver edge, and a non-oozing adhesive should be used.
- Remove a 3 mm (0.125 in.) strip from the leading edge to prevent labels from peeling inside the printer.
- Portrait orientation is preferred, especially when printing bar codes.
- Do *not* use labels that have exposed adhesive.
- Do *not* use labels that are separating from the backing sheet or are wrinkled, bubbled, or otherwise damaged.
- Do *not* load a sheet of labels through the machine more than once.
- Load labels into the manual bypass feeder with the recommended print side faceup and the top edge going in first.

When printing on card stock:

- Set the Paper Type to Card Stock from the printer driver.
- Do *not* use preprinted card stock manufactured with chemicals that may contaminate the printer. Preprinting introduces semi-liquid and volatile components into the printer.
- Do *not* use card stock that is creased. It may cause paper jams.
- We recommend the use of grain short card stock.
- Load card stock into the manual bypass feeder with the recommended print side faceup and the top edge going in first.



Lexmark C720

Limit label printing to occasional use of paper office labels designed for laser printers. The Lexmark C720 does not support vinyl or polyester labels.

The Lexmark C720 supports stocks up to 43 lb (163 g/m²). Feed labels from the standard tray only, which holds up to 80 sheets of labels or up to 120 sheets of card stock.

The following table lists the maximum basis weights supported by the multipurpose feeder.

Lexmark C720: Overview of card stock and label support

Paper source	Card stock			Labels	
	Index Bristol	Tag	Cover	Paper	Vinyl
Tray 1 (standard tray)	163 g/m ²	163 g/m ²	—	163 g/m ²	—

For paper and transparency specifications, see the printer *User's Guide*.

Media specifications

Labels	Width:	105 to 216 mm (4.1 to 8.5 in.)
	Length:	220 to 297 mm (8.7 to 11.7 in.)
	Weight:	120 to 163 g/m ² (32 to 43 lb)
	Thickness:	0.13 to 0.20 mm (0.005 to 0.008 in.)
	Smoothness:	100 to 400 Sheffield*

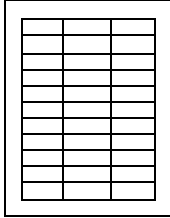
*150–250 Sheffield is optimal. Using media higher than 300 Sheffield could result in printing degradation.

Card stock	Weight:	Up to 163 g/m ² Index Bristol (90 lb)
		Up to 163 g/m ² Tag (100 lb)

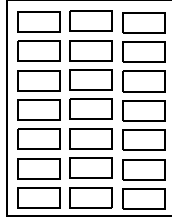
When printing on labels:

- Only feed labels from Tray 1.
- Use only paper labels. Do not use vinyl labels.
- Only use label sheets that have no gaps between the labels.

Acceptable labels



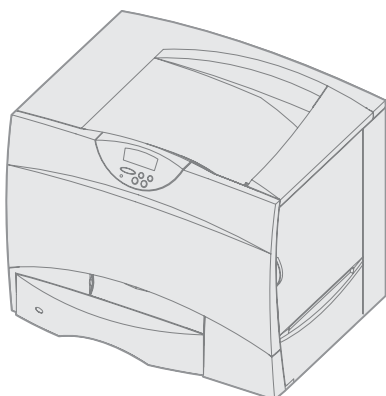
Unacceptable labels



- Recommended labels are Avery 5260.
- From the operator panel or from MarkVision Professional, set the Paper Type to Labels.
- Do not print a large number of labels continuously.
- Do not use labels that have coating or sizing applied to make the labels liquid-resistant.
- Do not use labels that have exposed adhesive on the label sheets.

When printing on card stock:

- Only feed card stock from Tray 1.
- We recommend using Springhill Index Plus 90 lb card stock.
- For the best print quality, always set the Paper Type to Card Stock.



Lexmark C750

The Lexmark C750 prints on many labels designed for use with laser printers.

The following table lists the maximum basis weights supported by the trays and the multipurpose feeder. More detailed specifications appear on the following pages.

Note: The optional 2000-sheet drawer supports paper only.

Lexmark C750: Overview of card stock and label support

Paper source	Card stock			Labels	
	Index Bristol	Tag	Cover	Paper	Vinyl ^{1, 2}
Tray 1	163 g/m ²	163 g/m ²	176 g/m ²	180 g/m ²	300 g/m ²
500-sheet drawer	163 g/m ²	163 g/m ²	176 g/m ²	180 g/m ²	300 g/m ²
Multipurpose feeder	163 g/m ²	163 g/m ²	176 g/m ²	199 g/m ²	260 g/m ²

¹ Vinyl labels are supported only when printing environment and media are 20–32.2°C (68–90°F).
² The skew performance of heavy vinyl labels may be enhanced by feeding from an optional 500 sheet drawer if placement of the image is critical.

For paper and transparency specifications, see the *Lexmark C750 Publications CD*.

The following table indicates the paper sizes each tray supports.

Paper source specifications for all media

Source	Standard sizes (width x length)		Universal sizes (width x length)	
	Minimum	Maximum	Minimum	Maximum
Standard tray 500-sheet drawer	148 x 210 mm (5.83 x 8.27 in.)	215.9 x 355.6 mm (8.5 x 14 in.)	139.7 x 210 mm (5.5 x 8.27 in.)	215.9 x 355.6 mm (8.5 in. x 14 in.)
Multipurpose feeder	148 x 210 mm (5.83 x 8.27 in.)	215.9 x 355.6 mm (8.5 x 14 in.)	69.85 x 127 mm (2.75 in. x 5 in.)	229 x 355.6 mm (9.01 x 14 in.)

If you load paper that is narrower than 148 mm (5.83 in.) in the multipurpose feeder (for example, 3x5-inch index cards), set the MP Feeder Size menu item to Universal.

Media specifications

Labels	Thickness:	0.102 to 0.305 mm (0.004 to 0.012 in.)
	Smoothness:	100 to 400* Sheffield

* 150–250 Sheffield is optimal. Using media higher than 300 Sheffield could result in printing degradation.

Standard trays and special media trays

The Lexmark C750 paper feeding mechanism uses advanced technology that enhances feeding reliability. The Lexmark C750 trays, which hold approximately 500 sheets of 75 g/m² bond paper, reliably feed all supported media.

Pick roller technology

Like the Optra S and Optra T, the Lexmark C750 printer uses an auto compensator to pick the media rather than the corner buckler system used by earlier printer models.

The Lexmark C750 trays have two rollers that touch the media in two places (see **Figure 13 on page 72**). Avoid placing deep perforations in these areas since the media may nest, causing multiple sheet feeds. Perforations that could cause nesting and tenting should fall outside the 0.31–1.05 in. area on the leading edge of the media. (This is different from the 0.50 in. we recommend leaving at the top of the form for printers with a corner buckler system.) You may want to use micro-perfs to avoid nesting problems. See Perforations and die-cuts on page 8 for more information.

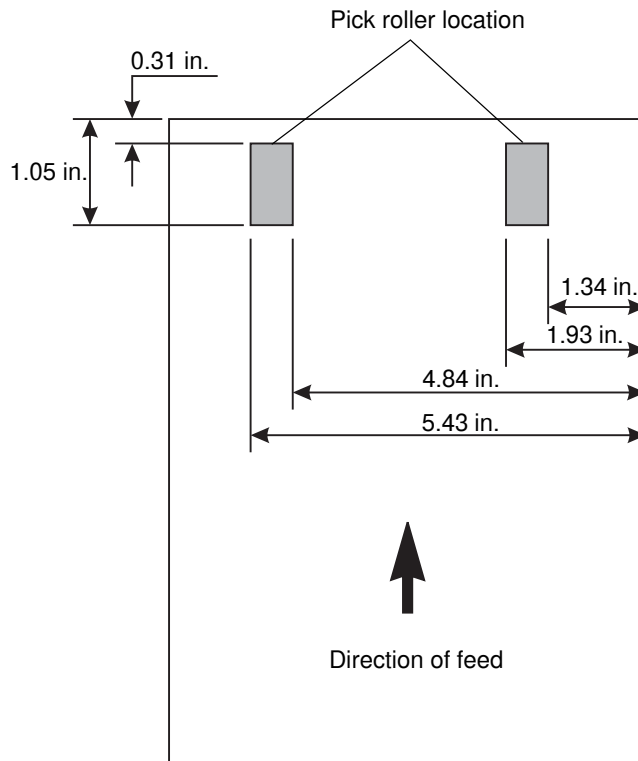


Figure 13. Location of pick rollers

Lexmark C750

Labels are one of the most difficult print materials for laser printers. A fuser equipped with a web oiler may be required for label applications to optimize feed reliability. Contact your local service representative for ordering information.

When printing on labels:

- Using the printer operator panel, set the Paper Type to Labels in the Paper Menu. For vinyl and other heavy labels, set the Labels Weight (under the Paper Weight menu) to Heavy, and set the Labels Texture (under the Paper Texture menu) to Smooth.
- Do not load labels together with paper or transparencies in the same paper tray. Combining print materials can cause feeding problems.
- Use full label sheets. Partial sheets may cause labels to peel off during printing, resulting in a paper jam. Adhesive material may contaminate your printer. It could also void your printer and cartridge warranties.

When feeding labels, the number of labels per sheet can affect registration more than basis weight. Typically, the more labels per sheet, the better the registration.

When printing on card stock:

- Set the Paper Type to Card Stock in the Paper Menu.
- Do not use card stock that is creased. It may cause paper jams.

Print Material specifications

Print material		Range or maximum weight supported	
		500-sheet tray and optional 500-sheet drawer	Multipurpose feeder
Paper ³ (grain direction ¹)	Xerographic or business paper	60 to 176 g/m ² (16 to 47 lb bond)	60 to 176 g/m ² (16 to 47 lb bond)
Card Stock (grain Long ¹)	Index Bristol	163 g/m ² (90 lb)	163 g/m ² (90 lb)
	Tag	163 g/m ² (100 lb)	163 g/m ² (100 lb)
	Cover	176 g/m ² (65 lb)	176 g/m ² (65 lb)
Card Stock (grain Short ¹)	Index Bristol	199 g/m ² (110 lb)	199 g/m ² (110 lb)
	Tag	203 g/m ² (125 lb)	203 g/m ² (125 lb)
	Cover	216 g/m ² (80 lb)	216 g/m ² (80 lb)
Labels	Paper	180 g/m ² (48 lb bond)	199 g/m ² (53 lb bond)
	Dual-web paper	180 g/m ² (48 lb bond)	199 g/m ² (53 lb bond)
	Vinyl ⁴	300 g/m ² (92 lb liner)	260 g/m ² (78 lb liner)
	Polyester	220 g/m ² (59 lb bond)	220 g/m ² (59 lb bond)
Integrated forms	Pressure-sensitive area ²	140 to 175 g/m ²	140 to 175 g/m ²
	Paper base (grain long)	75 to 135 g/m ² (20 to 36 lb bond)	75 to 135 g/m ² (20 to 36 lb bond)

¹ See Grain direction on page 74 for specific recommendations.

² Pressure-sensitive area must enter the printer first.

³ Paper less than 75 g/m² is supported only when the relative humidity is less than 60% and is not supported in duplex.

⁴ Vinyl labels are supported only when printing environment and media are 20–32°C (68–90°F).

Grain direction

Grain refers to the alignment of the paper fibers in a sheet of paper. Grain is either grain long, running the length of the paper, or grain short, running the width of the paper.

For 60 to 135 g/m² paper, we recommend grain long stock. For papers heavier than 135 g/m² (36 lb bond), grain short is preferred.

Maintenance procedures

If the print quality begins to degrade when printing sheets of vinyl labels, we suggest you follow the three cleaning steps below:

- 1** Print 5 sheets of paper.
- 2** Wait approximately 5 seconds.
- 3** Print 5 more sheets of paper.

To maintain printer feeding reliability, repeat this cleaning process every time you replace the black print cartridge, more often with some media. Failure to follow maintenance procedures could cause jamming, poor print quality, feeding problems, and fuser problems.

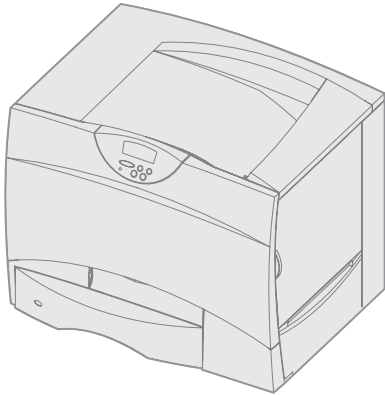
Troubleshooting

The following table provides solutions for some common card stock and label problems. See your printer documentation for more troubleshooting information.

Solutions to printing problems

Problem	Solution
Print on heavy stock is blurred or out of focus.	Make sure the Paper Type setting is appropriate for your print material. (Card stock in excess of 203 g/m [54 lb bond] may not produce acceptable print results.)
	Print 5 sheets of paper, wait approximately 5 seconds, and then print 5 more sheets of paper to remove any toner that may have accumulated.
Toner rubs off the page.	Make sure the Paper Type setting is appropriate for your print material.
	Use a lighter weight stock. (The material being used exceeds 300 g/m ²).
	Print 5 sheets of paper, wait approximately 5 seconds, and then print 5 more sheets of paper to remove any toner that may have accumulated.
Printing shows voids.	Change the Paper Type to Plain Paper.
	Print 5 sheets of paper, wait approximately 5 seconds, and then print 5 more sheets of paper to remove any toner that may have accumulated.

If you print large quantities of labels or other glossy print media, replace the fuser housing with a web oiler field upgrade kit (P/N 12G6307 for a 115 V printer, P/N 12G6308 for a 220 V printer).



Lexmark C752

The Lexmark C752 prints on many labels designed for use with laser printers.

The following table lists the maximum basis weights supported by the trays and the multipurpose feeder. More detailed specifications appear on the following pages.

Note: The optional 2000-sheet drawer supports paper only.

Lexmark C752: Overview of card stock and label support

Paper source	Card stock			Labels	
	Index Bristol	Tag	Cover	Paper	Vinyl ^{1, 2}
Tray 1	163 g/m ²	163 g/m ²	176 g/m ²	180 g/m ²	300 g/m ²
500-sheet drawer	163 g/m ²	163 g/m ²	176 g/m ²	180 g/m ²	300 g/m ²
Multipurpose feeder	163 g/m ²	163 g/m ²	176 g/m ²	199 g/m ²	260 g/m ²

¹ Vinyl labels are supported only when printing environment and media are 20–32.2°C (68–90°F).
² The skew performance of heavy vinyl labels may be enhanced by feeding from an optional 500 sheet drawer if placement of the image is critical.

For paper and transparency specifications, see the *Lexmark C752 Publications CD*.

The following table indicates the paper sizes each tray supports.

Paper source specifications for all media

Source	Standard sizes (width x length)		Universal sizes (width x length)	
	Minimum	Maximum	Minimum	Maximum
Standard tray 500-sheet drawer	148 x 210 mm (5.83 x 8.27 in.)	215.9 x 355.6 mm (8.5 x 14 in.)	139.7 x 210 mm (5.5 x 8.27 in.)	215.9 x 355.6 mm (8.5 in. x 14 in.)
Multipurpose feeder	148 x 210 mm (5.83 x 8.27 in.)	215.9 x 355.6 mm (8.5 x 14 in.)	69.85 x 127 mm (2.75 in. x 5 in.)	229 x 355.6 mm (9.01 x 14 in.)

If you load paper that is narrower than 148 mm (5.83 in.) in the multipurpose feeder (for example, 3x5-inch index cards), set the MP Feeder Size menu item to Universal.

Media specifications

Labels	Thickness:	0.102 to 0.305 mm (0.004 to 0.012 in.)
	Smoothness:	100 to 400* Sheffield

* 150–250 Sheffield is optimal. Using media higher than 300 Sheffield could result in printing degradation.

Standard trays and special media trays

The Lexmark C752 paper feeding mechanism uses advanced technology that enhances feeding reliability. The Lexmark C752 trays, which hold approximately 500 sheets of 75 g/m² bond paper, reliably feed all supported media.

Pick roller technology

The Lexmark C752 uses an auto compensator to pick the media rather than the corner buckler system used by earlier printer models.

The Lexmark C752 trays have two rollers that touch the media in two places (see **Figure 14 on page 76**). Avoid placing deep perforations in these areas since the media may nest, causing multiple sheet feeds. Perforations that could cause nesting and tenting should fall outside the 0.31–1.05 in. area on the leading edge of the media. (This is different from the 0.50 in. we recommend leaving at the top of the form for printers with a corner buckler system.) You may want to use micro-perfs to avoid nesting problems. See Perforations and die-cuts on page 8 for more information.

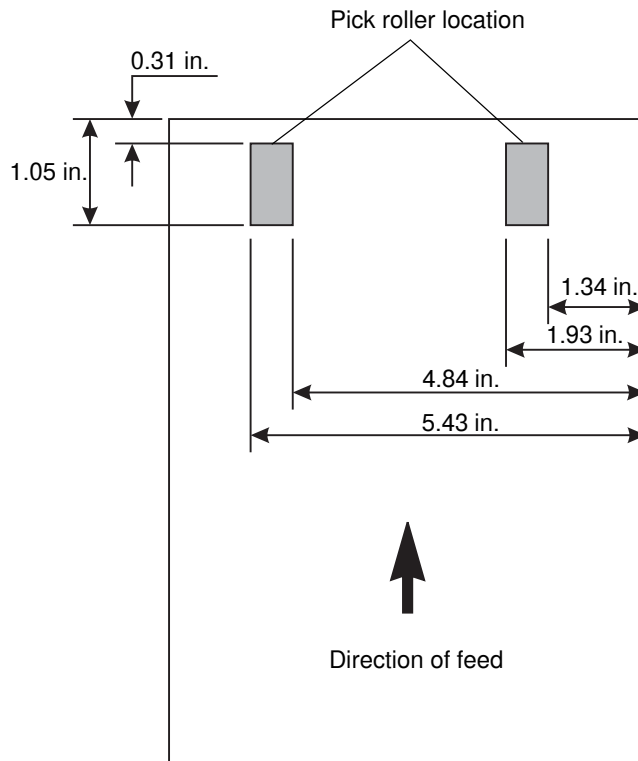


Figure 14. Location of pick rollers

Lexmark C752

Labels are one of the most difficult print materials for laser printers. A fuser equipped with a web oiler may be required for label applications to optimize feed reliability. Contact your local service representative for ordering information.

When printing on labels:

- Using the printer operator panel, set the Paper Type to Labels in the Paper Menu. For vinyl and other heavy labels, set the Labels Weight (under the Paper Weight menu) to Heavy, and set the Labels Texture (under the Paper Texture menu) to Smooth.
- Do not load labels together with paper or transparencies in the same paper tray. Combining print materials can cause feeding problems.
- Use full label sheets. Partial sheets may cause labels to peel off during printing, resulting in a paper jam. Adhesive material may contaminate your printer. It could also void your printer and cartridge warranties.

When feeding labels, the number of labels per sheet can affect registration more than basis weight. Typically, the more labels per sheet, the better the registration.

When printing on card stock:

- Set the Paper Type to Card Stock in the Paper Menu.
- Do not use card stock that is creased. It may cause paper jams.

Print material specifications

Print material		Range or maximum weight supported	
		500-sheet tray and optional 500-sheet drawer	Multipurpose feeder
Paper ³ (grain direction ¹)	Xerographic or business paper	60 to 176 g/m ² (16 to 47 lb bond)	60 to 176 g/m ² (16 to 47 lb bond)
Card stock (grain long ¹)	Index Bristol	163 g/m ² (90 lb)	163 g/m ² (90 lb)
	Tag	163 g/m ² (100 lb)	163 g/m ² (100 lb)
	Cover	176 g/m ² (65 lb)	176 g/m ² (65 lb)
Card stock (grain short ¹)	Index Bristol	199 g/m ² (110 lb)	199 g/m ² (110 lb)
	Tag	203 g/m ² (125 lb)	203 g/m ² (125 lb)
	Cover	216 g/m ² (80 lb)	216 g/m ² (80 lb)
Labels	Paper	180 g/m ² (48 lb bond)	199 g/m ² (53 lb bond)
	Dual-web paper	180 g/m ² (48 lb bond)	199 g/m ² (53 lb bond)
	Vinyl ⁴	300 g/m ² (92 lb liner)	260 g/m ² (78 lb liner)
	Polyester	220 g/m ² (59 lb bond)	220 g/m ² (59 lb bond)
Integrated forms	Pressure-sensitive area ²	140 to 175 g/m ²	140 to 175 g/m ²
	Paper base (grain long)	75 to 135 g/m ² (20 to 36 lb bond)	75 to 135 g/m ² (20 to 36 lb bond)

¹ See Grain direction on page 78 for specific recommendations.

² Pressure-sensitive area must enter the printer first.

³ Paper less than 75 g/m² is supported only when the relative humidity is less than 60% and is not supported in duplex.

⁴ Vinyl labels are supported only when printing environment and media are 20–32°C (68–90°F).

Grain direction

Grain refers to the alignment of the paper fibers in a sheet of paper. Grain is either grain long, running the length of the paper, or grain short, running the width of the paper.

For 60 to 135 g/m² paper, we recommend grain long stock. For papers heavier than 135 g/m² (36 lb bond), grain short is preferred.

Maintenance procedures

If the print quality begins to degrade when printing sheets of vinyl labels, we suggest you follow the three cleaning steps below:

- 1** Print 5 sheets of paper.
- 2** Wait approximately 5 seconds.
- 3** Print 5 more sheets of paper.

To maintain printer feeding reliability, repeat this cleaning process every time you replace the black print cartridge, more often with some media. Failure to follow maintenance procedures could cause jamming, poor print quality, feeding problems, and fuser problems.

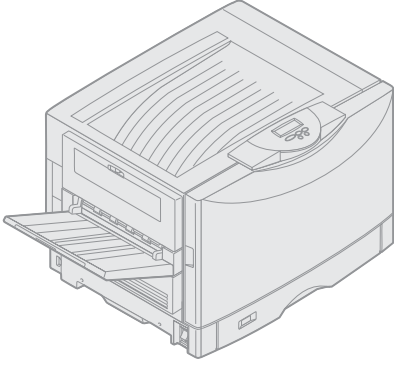
Troubleshooting

The following table provides solutions for some common card stock and label problems. See your printer documentation for more troubleshooting information.

Solutions to printing problems

Problem	Solution
Print on heavy stock is blurred or out of focus.	Make sure the Paper Type setting is appropriate for your print material. (Card stock in excess of 203 g/m ² [54 lb bond] may not produce acceptable print results.)
	Print 5 sheets of paper, wait approximately 5 seconds, and then print 5 more sheets of paper to remove any toner that may have accumulated.
Toner rubs off the page.	Make sure the Paper Type setting is appropriate for your print material.
	Use a lighter weight stock. (The material being used exceeds 300 g/m ²).
	Print 5 sheets of paper, wait approximately 5 seconds, and then print 5 more sheets of paper to remove any toner that may have accumulated.
Printing shows voids.	Change the Paper Type to Plain Paper.
	Print 5 sheets of paper, wait approximately 5 seconds, and then print 5 more sheets of paper to remove any toner that may have accumulated.

If you print large quantities of labels or other glossy print media, replace the fuser housing with a web oiler (P/N 56P1555 for a 115 V printer or P/N 56P1556 for a 220 V printer).



Lexmark C910

Limit label printing to occasional use of paper office labels designed for laser printers. We do not recommend using vinyl or polyester labels.

The Lexmark C910 supports stocks up to 90 lb (163 g/m²).

The following table lists the maximum basis weights supported by the heavy media tray and the multipurpose feeder.

Lexmark C910: Overview of card stock and label support

Paper source	Card stock			Labels	
	Index Bristol	Tag	Cover	Paper	Vinyl
Heavy media tray	—	—	—	180 g/m ²	—
Multipurpose feeder	163 g/m ²	163 g/m ²	—	180 g/m ²	—

For paper and transparency specifications, see the *Lexmark C910 Publications CD*.

Media specifications

Labels	Width:	210 to 216 mm (8.3 to 8.5 in.)
	Length:	279 to 297 mm (11 to 11.7 in.)
	Weight:	120 to 180 g/m ² (32 to 43 lb)
	Thickness:	0.13 to 0.20 mm (0.005 to 0.008 in.)
	Smoothness:	100 to 400 Sheffield*

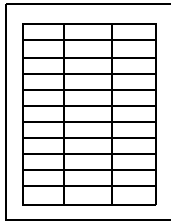
*150–250 Sheffield is optimal. Using media higher than 300 Sheffield could result in printing degradation.

Card stock	Weight:	Up to 163 g/m ² Index Bristol (90 lb)
		Up to 163 g/m ² Tag (100 lb)

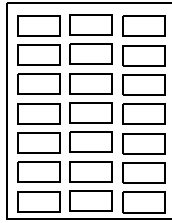
When printing on labels:

- Only use label sheets that have no gaps between the labels.

Acceptable labels



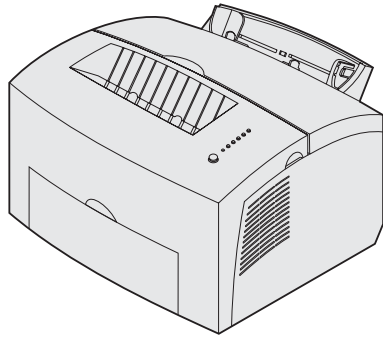
Unacceptable labels



- From the operator panel or from MarkVision Professional, set the Paper Type to Labels in the Paper Menu.
- Do not print a large number of labels continuously.
- Do not use labels that have coating or sizing applied to make the labels liquid-resistant.
- Do not use labels that have exposed adhesive on the label sheets.
- We recommend using Avery paper labels.

When printing on card stock:

- We recommend using Springhill Index Plus 90 lb card stock.
- For the best print quality, always set the Paper Type to Card Stock in the Paper Menu.



Lexmark E220

Limit label printing to occasional use of paper office labels designed for laser printers. We do not recommend using vinyl or polyester labels.

The Lexmark E220 supports stocks up to 43 lb (163 g/m²). The automatic paper feeder can hold up to 10 sheets of card stock or labels.

The following table lists the maximum basis weights supported by Tray 1 and the manual sheet feeder. More detailed specifications appear on the following page.

Lexmark E220: Overview of card stock and label support

Paper source	Card stock			Labels	
	Index Bristol	Tag	Cover	Paper	Vinyl
Tray 1	163 g/m ²	163 g/m ²	—	163 g/m ²	—
Manual feed	163 g/m ²	163 g/m ²	—	163 g/m ²	—

For paper and transparency specifications, see the *Lexmark E220 Publications CD*.

Media specifications

Labels	Width:	210 to 216 mm (8.3 to 8.5 in.)
	Length:	279 to 297 mm (11 to 11.7 in.)
	Weight:	Up to 163 g/m ² (43 lb)
	Thickness:	Up to 0.25 mm (0.01 in.)
	Smoothness:	100 to 400* Sheffield

* 150–250 Sheffield is optimal. Using media higher than 300 Sheffield could result in printing degradation.

Card stock	Weight:	Up to 163 g/m ² Index Bristol (90 lb)
		Up to 163 g/m ² Tag (100 lb)

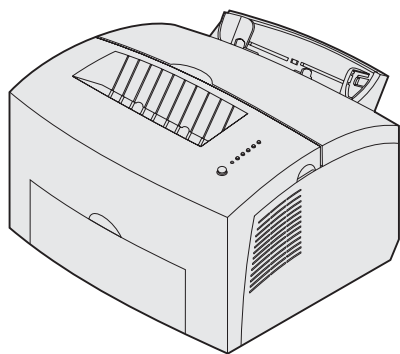
Note: To minimize curl, use the top exit when printing on card stock and labels.

Maintenance procedures

If the print quality begins to degrade when printing sheets of labels, we suggest you follow the three cleaning steps below:

- 1 Print 5 sheets of paper.
- 2 Wait approximately 5 seconds.
- 3 Print 5 more sheets of paper.

To maintain printer feeding reliability, repeat this cleaning process every time you replace the print cartridge, more often with some media. Failure to follow maintenance procedures could cause jamming, poor print quality, feeding problems, and fuser problems.



Lexmark E320, E322

Limit label printing to occasional use of paper office labels designed for laser printers. We do not recommend using vinyl or polyester labels.

The Lexmark E320 and Lexmark E322 support stocks up to 43 lb (163 g/m²). The automatic paper feeder can hold up to 10 sheets of card stock or labels.

The following table lists the maximum basis weights supported by Tray 1 and the manual sheet feeder. More detailed specifications appear on the following page.

Lexmark E320, E322: Overview of card stock and label support

Paper source	Card stock			Labels	
	Index Bristol	Tag	Cover	Paper	Vinyl
Tray 1	163 g/m ²	163 g/m ²	—	163 g/m ²	—
Manual feed	163 g/m ²	163 g/m ²	—	163 g/m ²	—

For paper and transparency specifications, see the *Lexmark E320/E322 Publications CD*.

Media specifications

Labels	Width:	210 to 216 mm (8.3 to 8.5 in.)
	Length:	279 to 297 mm (11 to 11.7 in.)
	Weight:	Up to 163 g/m ² (43 lb)
	Thickness:	Up to 0.25 mm (0.01 in.)
	Smoothness:	100 to 400* Sheffield

* 150–250 Sheffield is optimal. Using media higher than 300 Sheffield could result in printing degradation.

Card stock	Weight:	Up to 163 g/m ² Index Bristol (90 lb)
		Up to 163 g/m ² Tag (100 lb)

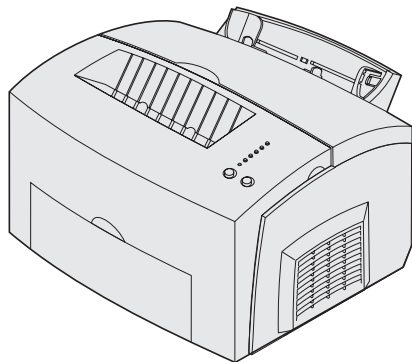
Note: To minimize curl, use the top exit when printing on card stock and labels.

Maintenance procedures

If the print quality begins to degrade when printing sheets of labels, we suggest you follow the three cleaning steps below:

- 1 Print 5 sheets of paper.
- 2 Wait approximately 5 seconds.
- 3 Print 5 more sheets of paper.

To maintain printer feeding reliability, repeat this cleaning process every time you replace the print cartridge, more often with some media. Failure to follow maintenance procedures could cause jamming, poor print quality, feeding problems, and fuser problems.



Lexmark E321, E323

Limit label printing to occasional use of paper office labels designed for laser printers. We do not recommend using vinyl or polyester labels.

The Lexmark E321 and Lexmark E323 support stocks up to 43 lb (163 g/m²). The automatic paper feeder can hold up to 10 sheets of card stock or labels.

The following table lists the maximum basis weights supported by Tray 1 and the manual sheet feeder. More detailed specifications appear on the following page.

Lexmark E321, E323: Overview of Card Stock and Label Support

Paper Source	Card Stock			Labels	
	Index Bristol	Tag	Cover	Paper	Vinyl
Tray 1	163 g/m ²	163 g/m ²	—	163 g/m ²	—
Manual Feed	163 g/m ²	163 g/m ²	—	163 g/m ²	—

For paper and transparency specifications, see the *Lexmark E321/E323 Publications CD*.

Media specifications

Labels	Width:	210 to 216 mm (8.3 to 8.5 in.)
	Length:	279 to 297 mm (11 to 11.7 in.)
	Weight:	Up to 163 g/m ² (43 lb)
	Thickness:	Up to 0.25 mm (0.01 in.)
	Smoothness:	100 to 400* Sheffield

* 150–250 Sheffield is optimal. Using media higher than 300 Sheffield could result in printing degradation.

Card stock	Weight:	Up to 163 g/m ² Index Bristol (90 lb)
		Up to 163 g/m ² Tag (100 lb)

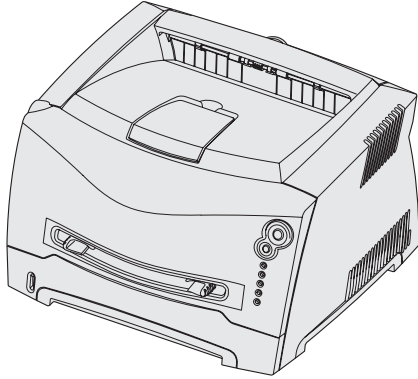
Note: To minimize curl, use the top exit when printing on card stock and labels.

Maintenance procedures

If the print quality begins to degrade when printing sheets of labels, we suggest you follow the three cleaning steps below:

- 1 Print 5 sheets of paper.
- 2 Wait approximately 5 seconds.
- 3 Print 5 more sheets of paper.

To maintain printer feeding reliability, repeat this cleaning process every time you replace the print cartridge, more often with some media. Failure to follow maintenance procedures could cause jamming, poor print quality, feeding problems, and fuser problems.



Lexmark E230, E232, E234(n), E330, and E332n

Limit label printing to occasional use of paper office labels designed for laser printers. We do not recommend using vinyl or polyester labels.

The Lexmark E230, E232, E234(n), E330, and E332 support stocks up to 43 lb (163 g/m²). The automatic paper feeder can hold up to 50 sheets of paper labels.

The following table lists the maximum basis weights supported by Tray 1 and the manual sheet feeder. More detailed specifications appear on the following page.

Lexmark E230, E232, E234(n), E330, E332n: Overview of card stock and label support

Paper source	Card stock			Labels	
	Index Bristol	Tag	Cover	Paper	Vinyl
Tray 1	—	—	—	163 g/m ²	—
Manual feed	163 g/m ²	163 g/m ²	—	163 g/m ²	—

For paper and transparency specifications, see the *Lexmark E230/E232/E234(n)/E330/E332n Publications* CDs.

Media specifications

Labels	Width:	210 to 216 mm (8.3 to 8.5 in.)
	Length:	279 to 297 mm (11 to 11.7 in.)
	Weight:	Up to 163 g/m ² (43 lb)
	Thickness:	Up to 0.25 mm (0.01 in.)
	Smoothness:	100 to 400* Sheffield

* 150–250 Sheffield is optimal. Using media higher than 300 Sheffield could result in printing degradation.

Card stock	Weight:	Up to 163 g/m ² Index Bristol (90 lb)
		Up to 163 g/m ² Tag (100 lb)

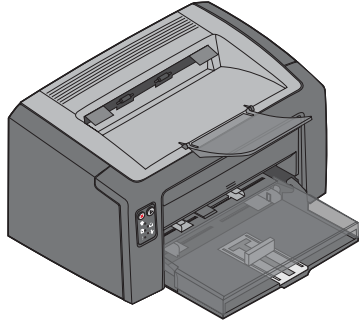
Note: To minimize curl, use the rear exit when printing on card stock and labels.

Maintenance procedures

If the print quality begins to degrade when printing sheets of labels, we suggest you follow the three cleaning steps below:

- 1 Print 5 sheets of paper.
- 2 Wait approximately 5 seconds.
- 3 Print 5 more sheets of paper.

To maintain printer feeding reliability, repeat this cleaning process every time you replace the print cartridge, more often with some media. Failure to follow maintenance procedures could cause jamming, poor print quality, feeding problems, and fuser problems.



Lexmark E120

Limit label printing to occasional use of paper office labels designed for laser printers. We do not recommend using vinyl or polyester labels.

The Lexmark E120 supports stocks up to 43 lb (163 g/m²). The automatic paper feeder can hold up to 10 sheets of card stock or labels.

The following table lists the maximum basis weights supported by Tray 1 and the manual sheet feeder. More detailed specifications appear on the following page.

Lexmark E120: Overview of card stock and label support

Paper source	Card stock	Labels	
	Index Bristol	Paper	Vinyl
Tray 1	135–163 g/m ² (up to 90 lb)	60–163 g/m ² (16–43 lb)	—
Manual feed	135–163 g/m ² (up to 90 lb)	60–163 g/m ² (16–43 lb)	—

For paper and transparency specifications, see the *Lexmark E220 Publications CD*.

Media specifications

Labels	Width:	210 to 216 mm (8.3 to 8.5 in.)
	Length:	279 to 297 mm (11 to 11.7 in.)
	Weight:	Up to 163 g/m ² (43 lb)
	Thickness:	Up to 0.25 mm (0.01 in.)
	Smoothness:	100 to 400* Sheffield

* 150–250 Sheffield is optimal. Using media higher than 300 Sheffield could result in printing degradation.

Card stock	Weight:	Up to 163 g/m ² Index Bristol (90 lb)
		Up to 163 g/m ² Tag (100 lb)

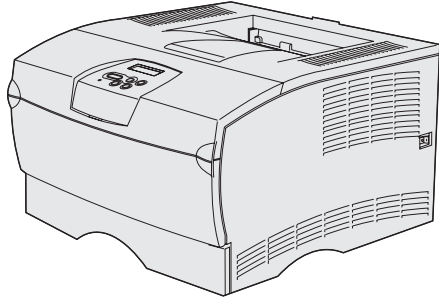
Note: To minimize curl, use the top exit when printing on card stock and labels.

Maintenance procedures

If the print quality begins to degrade when printing sheets of labels, we suggest you follow the three cleaning steps below:

- 1 Print 5 sheets of paper.
- 2 Wait approximately 5 seconds.
- 3 Print 5 more sheets of paper.

To maintain printer feeding reliability, repeat this cleaning process every time you replace the print cartridge, more often with some media. Failure to follow maintenance procedures could cause jamming, poor print quality, feeding problems, and fuser problems.



Lexmark T430

The Lexmark T430 prints on paper office labels designed for laser printers. Limit label printing to occasional use. We do not recommend using vinyl or polyester labels.

The Lexmark T430 supports stocks from 60 to 163 g/m² (16-43 lb). The multipurpose feeder can feed up to 30 sheets of dual-web or integrated labels and 10 sheets of card stock.

The following table lists the maximum basis weights supported by Tray 1 and the multipurpose feeder.

Lexmark T430: Overview of card stock support

Paper source	Index Bristol	Tag	Cover
Tray 1	—	—	—
Multipurpose Feeder*	60 to 163 g/m ² (16–43 lb)		—

* Card stock can only be fed from the multipurpose feeder and must always exit to the rear output bin.

Lexmark T430: Overview of label support

Label type	Standard tray	Multipurpose feeder	Optional trays
Paper	X	✓	X
Integrated	X	✓	X
Dual web	X	✓	X

✓ - indicates support X - indicates no support

Warning: Do not place over 100 label sheets in the standard tray or over 30 label sheets in the multipurpose feeder. Feeding labels from print media sources that are not supported may damage your printer.

Media specifications

Labels	Width:	76.2 to 216 mm (3.0 to 8.5 in.)
	Length:	127 to 355.6 mm (5 to 14 in.)
	Weight:	Up to 199 g/m ² (53 lb)
	Thickness:	Up to 0.25 mm (0.01 in.)
	Smoothness:	100 to 400* Sheffield

* 150 - 250 Sheffield is optimal. Using media higher than 300 Sheffield could result in printing degradation.

Card stock	Weight:	Up to 163 g/m ² Index Bristol (90 lb)
		Up to 163 g/m ² Tag (100 lb)

Note: Always use the rear exit when printing on card stock. To minimize curl, use the rear exit when printing on labels.

When printing on labels:

- Set the Paper Type to Labels from the printer driver, the Local Printer Setup Utility, or MarkVision.
- Do *not* load labels together with paper or transparencies in the same paper source.
- Do *not* use label sheets with a slick backing material.
- Do *not* print within 1 mm (0.040 in.) of the die cut.
- Use full label sheets. Partial sheets may cause labels to peel off during printing, resulting in a paper jam. Partial sheets will also contaminate your printer and your cartridge with adhesive, and could void your printer and cartridge warranties.
- Use labels that can withstand temperatures of 205°C (401°F) without sealing, excessive curling, wrinkling, or releasing hazardous emissions.
- Use labels that can withstand pressure of 25 pounds per square inch (psi).
- Do *not* print within 1 mm (0.040 in.) of the edge of the label, of the perforations, or between die-cuts of the label.
- Do *not* use label sheets that have adhesive to the edge of the sheet. We recommend zone coating of the adhesive at least 1 mm (0.040 in.) away from edges. Adhesive material will contaminate your printer and could void your warranty.
- If zone coating of the adhesive is not possible, a non-oozing adhesive should be used. Unlike other printers, do *not* remove the leading or driver edge.
- Test any perforated card stock or paper before purchasing large quantities. The perforation locations may impact printer reliability
- Portrait orientation is preferred, especially when printing bar codes.
- Do *not* use labels that have exposed adhesive.
- For the multipurpose feeder, load labels with the recommended print side faceup and the top edge going in first. For the tray, load labels with the recommended print side face down.

When printing on card stock:

- Set the Paper Type to Card Stock from the printer driver, the Local Printer Setup Utility, or MarkVision.
- Do *not* use preprinted card stock manufactured with chemicals that may contaminate the printer. Preprinting introduces semi-liquid and volatile components into the printer.
- Do *not* use card stock that is creased. It may cause paper jams.
- We recommend the use of grain short card stock.
- Load card stock with the recommended print side faceup and the top edge going in first.

Maintenance procedures

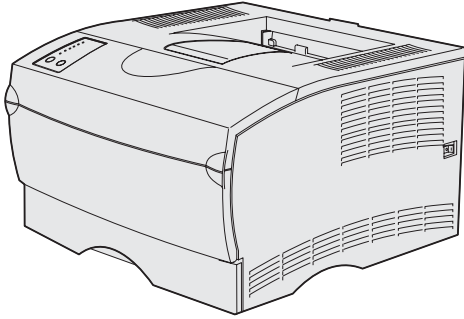
When any of the following conditions occur:

- after continuously printing approximately 10,000 pages of labels or card stock
- the print cartridge is replaced
- the print quality begins to degrade

we suggest you follow the three cleaning steps below to maintain printer feeding reliability:

- 1** Print 5 sheets of paper.
- 2** Wait approximately 5 seconds.
- 3** Print 5 more sheets of paper.

To maintain printer feeding reliability, repeat this cleaning process every time you replace the print cartridge, more often with some media. Failure to follow maintenance procedures could cause jamming, poor print quality, feeding problems, and fuser problems.



Lexmark T420

The Lexmark T420 prints on many labels designed for use with laser printers.

The Lexmark T420 supports stocks up to 60-199 g/m² (16-53 lb). The standard tray is designed to handle 100 sheets of heavy labels, but its capacity may be reduced due to the thickness of some labels. The multipurpose feeder can feed up to 30 sheets of dual-web or integrated labels and 10 sheets of card stock.

The following table lists the maximum basis weights supported by Tray 1 and the multipurpose feeder.

Lexmark T420: Overview of card stock support

Paper source	Card stock		
	Index Bristol	Tag	Cover
Tray 1	—	—	—
Multipurpose feeder *	60–199 g/m ² (16–53 lb)		—

* Card stock can only be fed from the multipurpose feeder and must always exit to the rear output bin.

Lexmark T420: Overview of Label Support

Label type	Print media source		
	Standard tray	Multipurpose feeder	Optional trays
Paper	✓	X	X
Integrated	X	✓	X
Dual web	✓	✓	X
Vinyl	X	X	X

✓ - indicates support X - indicates no support

Note: Do not place over 100 label sheets in the standard tray or over 30 label sheets in the multipurpose feeder. Feeding labels from print media sources that are not supported may damage your printer.

For paper and transparency specifications, see the *Lexmark T420 Publications CD*.

Media specifications

Labels	Width:	76.2 to 216 mm (3.0 to 8.5 in.)
	Length:	127 to 355.6 mm (5 to 14 in.)
	Weight:	Up to 199 g/m ² (53 lb)
	Thickness:	Up to 0.25 mm (0.01 in.)
	Smoothness:	100 to 400* Sheffield

* 150–250 Sheffield is optimal. Using media higher than 300 Sheffield could result in printing degradation.

Card stock	Weight:	Up to 163 g/m ² Index Bristol (90 lb)
		Up to 163 g/m ² Tag (100 lb)

Note: Always use the rear exit when printing on card stock. To minimize curl, use the rear exit when printing on labels.

When printing on labels:

- Set the Paper Type to Labels from the printer driver, the Local Printer Setup Utility, or MarkVision.
- Do *not* load labels together with paper or transparencies in the same paper source.
- Do *not* use label sheets with a slick backing material.
- Do *not* print within 1 mm (0.040 in.) of the die cut.
- Use full label sheets. Partial sheets may cause labels to peel off during printing, resulting in a paper jam. Partial sheets will also contaminate the printer and the cartridge with adhesive, and could void the printer and cartridge warranties.
- Use labels that can withstand temperatures of 205°C (401°F) without sealing, excessive curling, wrinkling, or releasing hazardous emissions.
- Use labels that can withstand pressure of 25 pounds per square inch (psi).
- Do *not* print within 1 mm (0.040 in.) of the edge of the label, of the perforations, or between die-cuts of the label.
- Do *not* use labels that have adhesive to the edge of the sheet. We recommend zone coating of the adhesive at least 1 mm (0.040 in.) from the edges. Adhesive material will contaminate the printer and could void the warranty.
- If zone coating of the adhesive is not possible, a 3 mm (0.125 in.) strip should be removed on the leading and driver edge, and a non-oozing adhesive should be used.
- Remove a 3 mm (0.125 in.) strip from the leading edge to prevent labels from peeling inside the printer.
- Portrait orientation is preferred, especially when printing bar codes.
- Do *not* use labels that have exposed adhesive.
- For the multipurpose feeder, load labels with the recommended print side faceup and the top edge going in first. For the tray, load labels with the recommended print side face down.

When printing on card stock:

- Set the Paper Type to Card Stock from the printer driver, the Local Printer Setup Utility, or MarkVision.
- Do *not* use preprinted card stock manufactured with chemicals that may contaminate the printer. Preprinting introduces semi-liquid and volatile components into the printer.
- Do *not* use card stock that is creased. It may cause paper jams.
- We recommend the use of grain short card stock.
- Load card stock with the recommended print side faceup and the top edge going in first.

Maintenance procedures

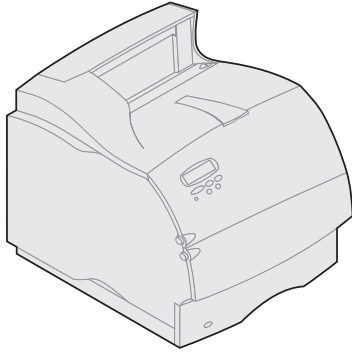
When any of the following conditions occur:

- after continuously printing approximately 10,000 pages of labels or card stock
- the print cartridge is replaced
- the print quality begins to degrade

we suggest you follow the three cleaning steps below to maintain printer feeding reliability:

- 1** Print 5 sheets of paper.
- 2** Wait approximately 5 seconds.
- 3** Print 5 more sheets of paper.

To maintain printer feeding reliability, repeat this cleaning process every time you replace the print cartridge, more often with some media. Failure to follow maintenance procedures could cause jamming, poor print quality, feeding problems, and fuser problems.



Lexmark T520, T522

The Lexmark T520 and T522 print on many labels designed for use with laser printers.

The following table lists the maximum basis weights supported by the trays and the multipurpose feeder. More detailed specifications appear on the following pages.

Lexmark T520, T522: Overview of card stock and label support

Paper source	Card stock ¹			Labels ²			
	Index Bristol	Tag	Cover	Paper	Dual-web paper	Polyester	Vinyl
Integrated tray	199 g/m ²	203 g/m ²	216 g/m ²	180 g/m ²	180 g/m ²	220 g/m ²	300 g/m ²
Optional 250-sheet drawer	163 g/m ²	163 g/m ²	176 g/m ²	163 g/m ²	163 g/m ²	220 g/m ²	260 g/m ²
Optional 500-sheet drawer	199 g/m ²	203 g/m ²	216 g/m ²	180 g/m ²	180 g/m ²	220 g/m ²	300 g/m ²
Multipurpose feeder ³	163 g/m ²	163 g/m ²	176 g/m ²	163 g/m ²	163 g/m ²	220 g/m ²	260 g/m ²

¹ Grain short.

² Printing labels on the T520, T522 requires a special label fuser cleaner that prevents duplexing.

It is recommended that when you run vinyl labels, you install a special oil fuser cleaner, P/N 99A0725. When you order a new cartridge, be sure to order the cartridge that will include the correct fuser cleaner.

It is possible to duplex certain labels that have been specifically designed for this application. To duplex labels, consult the Lexmark "Converter Lists" to see which converters have successfully developed this type of label and you must install a special fuser wiper. The wax wiper that is used with the T520 and T522 is P/N 99A1082.

³ Due to label design characteristics, unacceptable feeding may be experienced from the multipurpose feeder.

For paper and transparency specifications, see the printer publications CD.

The following table indicates the paper sizes each tray supports.

Paper Source specifications for all media

Source	Standard sizes (width x length)		Universal sizes (width x length)	
	Minimum	Maximum	Minimum	Maximum
Standard tray, 250-sheet drawer, 500-sheet drawer	148 x 210 mm (5.83 x 8.27 in.)	215.9 x 355.6 mm (8.5 x 14 in.)	139.7 x 210 mm (5.5 x 8.27 in.)	215.9 x 355.6 mm (8.5 in. x 14 in.)
Multipurpose feeder	148 x 210 mm (5.83 x 8.27 in.)	215.9 x 355.6 mm (8.5 x 14 in.)	69.85 x 127 mm (2.75 in. x 5 in.)	229 x 355.6 mm (9.01 x 14 in.)

If you load paper that is narrower than 148 mm (5.83 in.) in the multipurpose feeder (for example, 3x5-inch index cards), set the MP Feeder Size menu item to Universal.

Media specifications

Labels	Thickness:	0.102 to 0.305 mm (0.004 to 0.012 in.)
	Smoothness:	100 to 400* Sheffield

* 150–250 Sheffield is optimal. Using media higher than 300 Sheffield could result in printing degradation.

Card stock	Weight:	Up to 199 g/m ² Index Bristol (90 lb)
		Up to 203 g/m ² Tag (100 lb)

Standard trays and special media trays

The Lexmark T520 and T522 paper feeding mechanism uses advanced technology that enhances feeding reliability. The standard Lexmark T520 and T522 tray, which holds 250 or 500 sheets of 20 lb xerographic paper, reliably feeds all media tested according to the guidelines specified under Dimensions on page 7.

For those difficult-to-print sizes, such as 3-inch x 5-inch index cards, Lexmark offers a variety of special media trays and drawers.

Note: Optional 250-sheet Universally Adjustable Trays can be used to print forms with a minimum length of 5 inches using a T520, when installed either in the integral tray location or in a 250-sheet drawer under a 250-sheet integral tray. Optional 250-sheet Universally Adjustable Trays support forms with a minimum length of 7 inches on a T522. Optional 400-sheet Universally Adjustable Trays support forms with a minimum length of 7 inches on both the T520 and T522.

Special media options

Source	Part number
250-Sheet Special Media Tray	11K1572
250-Sheet Special Media Drawer	11K1573
250-Sheet Universally Adjustable Tray	11K1574
250-Sheet Universally Adjustable Drawer	11K1878
500-Sheet Special Media Tray	11K1921
500-Sheet Special Media Tray + Drawer	11K1922
400-Sheet Universally Adjustable Tray	11K1941
400-Sheet Universally Adjustable Tray + Drawer	11K1942

Pick Roller Technology

The Lexmark T520 and T522 printers use an auto compensator to pick the media rather than the corner buckler system used by earlier printer models.

The Lexmark T520 and T522 trays have two rollers that touch the media in two places (see **Figure 15 on page 93**). Avoid placing deep perforations in these areas since the media may nest, causing multiple sheet feeds. Perforations that could cause nesting and tenting should fall outside the 0.31–0.79 in. area on the leading edge of the media. (This is different from the 0.50 in. we recommend leaving at the top of the form for printers with a corner buckler system.) You may want to use micro-perfs to avoid nesting problems. See Perforations and die-cuts on page 8 for more information.

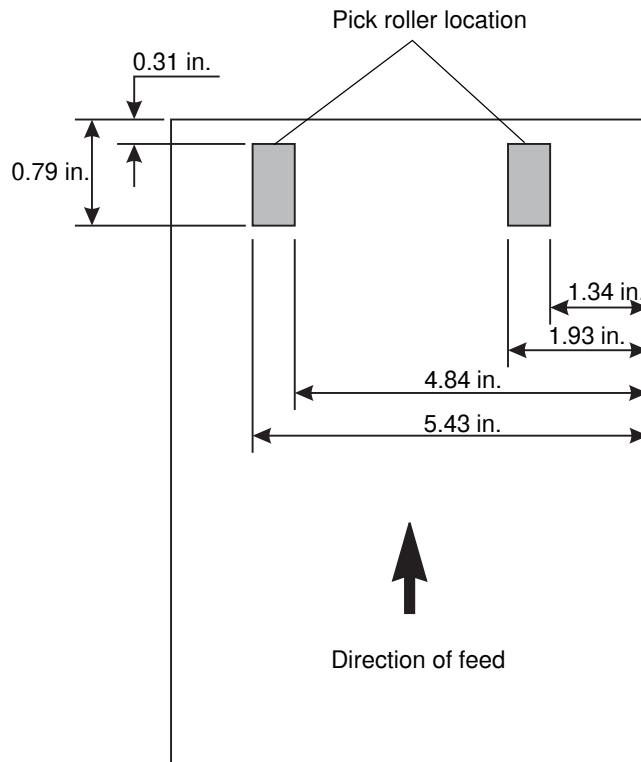


Figure 15. Location of pick rollers

Labels are one of the most difficult print materials for laser printers. A special fuser cleaner should be used for label applications to optimize feed reliability. See your printer documentation for information on ordering additional label fuser cleaners.

When printing on labels:

- Using the printer operator panel, set the Paper Type to Labels in the Paper Menu. For vinyl and other heavy labels, set the Labels Weight (under the Paper Weight menu) to Heavy, and set the Labels Texture (under the Paper Texture menu) to Smooth.
- Do not load labels together with paper or transparencies in the same paper tray. Combining print materials can cause feeding problems.
- Use full label sheets. Partial sheets may cause labels to peel off during printing, resulting in a paper jam. Adhesive material may contaminate your printer. It could also void your printer and cartridge warranties.

When feeding labels, the number of labels per sheet can affect registration more than basis weight. Typically, the more labels per sheet, the better the registration.

When printing on card stock:

- Set the Paper Type to Card Stock in the Paper Menu.
- Do *not* use card stock that is creased. It may cause paper jams.

Print material specifications

Print material		Range or maximum weight supported	
		Integrated tray and optional 500-sheet drawer	Multipurpose feeder ³ and optional 250-sheet drawer
Paper (grain direction ¹)	Xerographic or business paper	60 to 176 g/m ² (16 to 47 lb bond)	60 to 135 g/m ² (16 to 36 lb bond)
Card Stock (grain direction ¹)	Index Bristol	199 g/m ² (110 lb)	163 g/m ² (90 lb)
	Tag	203 g/m ² (125 lb)	163 g/m ² (100 lb)
	Cover	216 g/m ² (80 lb)	176 g/m ² (65 lb)
Labels	Paper	180 g/m ² (48 lb bond)	163 g/m ² (43 lb bond)
	Dual-web paper	180 g/m ² (48 lb bond)	163 g/m ² (43 lb bond)
	Vinyl	300 g/m ² (92 lb liner)	260 g/m ² (78 lb liner)
	Polyester	220 g/m ² (59 lb bond)	220 g/m ² (59 lb bond)
Integrated forms	Pressure sensitive area ²	140 to 175 g/m ²	140 to 175 g/m ²
	Paper base (grain long)	75 to 135 g/m ² (20 to 36 lb bond)	75 to 135 g/m ² (20 to 36 lb bond)

¹ See Grain direction on page 94 for specific recommendations.
² Pressure-sensitive area must enter the printer first for grain short paper.
³ Due to label design characteristics, unacceptable feeding may be experienced from the multipurpose feeder.

Grain direction

Grain refers to the alignment of the paper fibers in a sheet of paper. Grain is either grain long, running the length of the paper, or grain short, running the width of the paper.

For 60 to 135 g/m² paper, we recommend grain long stock. For papers heavier than 135 g/m², grain short is preferred. For the multipurpose feeder, we recommend 60 to 135 g/m² paper, grain long. If you feed papers heavier than 135 g/m² from the multipurpose feeder, grain short is preferred.

Maintenance procedures

If the print quality begins to degrade when printing sheets of vinyl labels, we suggest you follow the three cleaning steps below:

- 1** Print 5 sheets of paper.
- 2** Wait approximately 5 seconds.
- 3** Print 5 more sheets of paper.

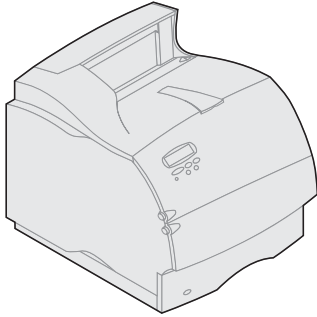
To maintain printer feeding reliability, repeat this cleaning process every time you replace the print cartridge, more often with some media. Failure to follow maintenance procedures could cause jamming, poor print quality, feeding problems, and fuser problems.

Troubleshooting

The following table provides solutions for some common card stock and label problems. See your printer documentation for more troubleshooting information.

Solutions to printing problems

Problem	Solution
Print on heavy stock is blurred or out of focus.	Make sure the Paper Type setting is appropriate for your print material. (Card stock in excess of 203 g/m ² [54 lb bond] may not produce acceptable print results.)
	Print 5 sheets of paper, wait approximately 5 seconds, print 5 more sheets of paper to remove any toner that may have accumulated.
Toner rubs off the page.	Make sure the Paper Type setting is appropriate for your print material.
	Use a lighter weight stock. (The material being used exceeds 300 g/m ²).
	Print 5 sheets of paper, wait approximately 5 seconds, print 5 more sheets of paper to remove any toner that may have accumulated.
Printing shows voids.	Change the Paper Type to Plain Paper.
	Print 5 sheets of paper, wait approximately 5 seconds, print 5 more sheets of paper to remove any toner that may have accumulated.



Lexmark T620, T622

The Lexmark T620 and T622 print on many labels designed for use with laser printers.

The following table lists the maximum basis weights supported by the trays and the multipurpose feeder. More detailed specifications appear on the following pages.

Lexmark T620, T622: Overview of card stock and label support

Paper source	Card stock ¹			Labels ²			
	Index Bristol	Tag	Cover	Paper	Dual-web paper	Polyester	Vinyl ³
Integrated tray	199 g/m ²	203 g/m ²	216 g/m ²	180 g/m ²	180 g/m ²	220 g/m ²	300 g/m ²
Optional 250-sheet drawer	163 g/m ²	163 g/m ²	176 g/m ²	163 g/m ²	163 g/m ²	220 g/m ²	260 g/m ²
Optional 500-sheet drawer	199 g/m ²	203 g/m ²	216 g/m ²	180 g/m ²	180 g/m ²	220 g/m ²	300 g/m ²
Multipurpose feeder ⁴	163 g/m ²	163 g/m ²	176 g/m ²	163 g/m ²	163 g/m ²	220 g/m ²	260 g/m ²

¹ Grain short.

² Printing labels on the T620 and T622 requires a special label fuser cleaner that prevents duplexing.

It is recommended that when you run vinyl labels, you install a special oil fuser cleaner, P/N 99A0725. When you order a new cartridge, be sure to order the cartridge that will include the correct fuser cleaner.

It is possible to duplex certain labels that have been specifically designed for this application. To duplex labels, consult the Lexmark "Converter Lists" to see which converters have successfully developed this type of label, and you must install a special fuser wiper. The wax wiper that is used with the T620 and T622 is P/N 18A1467.

³ The Lexmark T622 does not support vinyl media.

⁴ Due to label design characteristics, unacceptable feeding may be experienced from the multipurpose feeder.

For paper and transparency specifications, see the publications CD.

The following table indicates the paper sizes each tray supports.

Paper source specifications for all media

Source	Standard sizes (width x length)		Universal sizes (width x length)	
	Minimum	Maximum	Minimum	Maximum
Standard tray, 250-sheet drawer, 500-sheet drawer	148 x 210 mm (5.83 x 8.27 in.)	215.9 x 355.6 mm (8.5 x 14 in.)	139.7 x 210 mm (5.5 x 8.27 in.)	215.9 x 355.6 mm (8.5 in. x 14 in.)
Multipurpose feeder	148 x 210 mm (5.83 x 8.27 in.)	215.9 x 355.6 mm (8.5 x 14 in.)	69.85 x 127 mm (2.75 in. x 5 in.)	229 x 355.6 mm (9.01 x 14 in.)

If you load paper that is narrower than 148 mm (5.83 in.) in the multipurpose feeder (for example, 3x5-inch index cards), set the MP Feeder Size menu item to Universal.

Media specifications

Labels	Thickness:	0.102 to 0.305 mm (0.004 to 0.012 in.)
	Smoothness:	100 to 400* Sheffield

* 150–250 Sheffield is optimal. Using media higher than 300 Sheffield could result in printing degradation.

Card stock	Weight:	Up to 199 g/m ² Index Bristol (90 lb)
		Up to 203 g/m ² Tag (100 lb)

Standard trays and special media trays

The Lexmark T620 and T622 paper feeding mechanism uses advanced technology that enhances feeding reliability. The standard Lexmark T620 and T622 tray, which holds 500 sheets of bond paper, reliably feeds all media tested according to the guidelines specified under Dimensions on page 7.

For those difficult-to-print sizes, such as 3-inch x 7-inch forms, Lexmark offers a variety of special media trays and drawers.

Note: Optional 250-sheet Universally Adjustable Trays support forms with a minimum length of 7 inches on both the T620 and T622. Optional 400-sheet Universally Adjustable Trays support forms with a minimum length of 7 inches on both the T620 and T622.

Special Media Options

Source	Part number
250-Sheet Special Media Tray	11K1572
250-Sheet Special Media Drawer	11K1573
250-Sheet Universally Adjustable Tray	11K1574
250-Sheet Universally Adjustable Drawer	11K1878
500-Sheet Special Media Tray	11K1921
500-Sheet Special Media Tray + Drawer	11K1922
400-Sheet Universally Adjustable Tray	11K1941
400-Sheet Universally Adjustable Tray + Drawer	11K1942

Pick roller technology

The Lexmark T620 and T622 printers use an auto compensator to pick the media rather than the corner buckler system used by earlier printer models.

The Lexmark T620 and T622 trays have two rollers that touch the media in two places (see **Figure 16 on page 98**). Avoid placing deep perforations in these areas since the media may nest, causing multiple sheet feeds. Perforations that could cause nesting and tenting should fall outside the 0.31–0.79 in. area on the leading edge of the media. (This is different from the 0.50 in. we recommend leaving at the top of the form for printers with a corner buckler system.) You may want to use micro-perfs to avoid nesting problems. See Perforations and die-cuts on page 8 for more information.

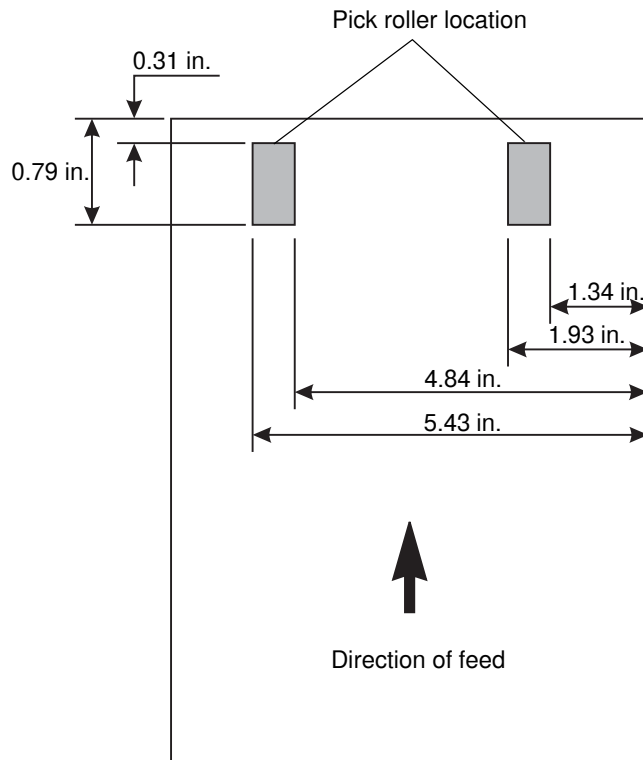


Figure 16. Location of pick rollers

Labels are one of the most difficult print materials for laser printers. A special fuser cleaner should be used for label applications to optimize feed reliability. See your printer documentation for information on ordering additional label fuser cleaners.

When printing on labels:

- Using the printer operator panel, set the Paper Type to Labels in the Paper Menu. For vinyl and other heavy labels, set the Labels Weight (under the Paper Weight menu) to Heavy, and set the Labels Texture (under the Paper Texture menu) to Smooth.
- Do not load labels together with paper or transparencies in the same paper tray. Combining print materials can cause feeding problems.
- Use full label sheets. Partial sheets may cause labels to peel off during printing, resulting in a paper jam. Adhesive material may contaminate your printer. It could also void your printer and cartridge warranties.

Note: The Lexmark T622 does not support vinyl labels.

Lexmark T620, T622

When feeding labels, the number of labels per sheet can affect registration more than basis weight. Typically, the more labels per sheet, the better the registration.

When printing on card stock:

- Set the Paper Type to Card Stock in the Paper Menu.
- Do not use card stock that is creased. It may cause paper jams.

Print material specifications

Print Material		Range or maximum weight supported	
		250-sheet and 500-sheet trays	Multipurpose feeder ⁴ and optional 250-sheet drawer
Paper (grain Long)	Xerographic or business paper	60 to 176 g/m ² (16 to 47 lb bond)	60 to 135 g/m ² (16 to 36 lb bond)
Card stock (grain long ¹)	Index Bristol	163 g/m ² (90 lb)	120 g/m ² (67 lb)
	Tag	163 g/m ² (100 lb)	120 g/m ² (74 lb)
	Cover	176 g/m ² (65 lb)	135 g/m ² (50 lb)
Card stock (grain short ¹)	Index Bristol	199 g/m ² (110 lb)	163 g/m ² (90 lb)
	Tag	203 g/m ² (125 lb)	163 g/m ² (100 lb)
	Cover	216 g/m ² (80 lb)	176 g/m ² (65 lb)
Labels	Paper	180 g/m ² (48 lb bond)	163 g/m ² (43 lb bond)
	Dual-Web Paper	180 g/m ² (48 lb bond)	163 g/m ² (43 lb bond)
	Vinyl ³	300 g/m ² (92 lb liner)	260 g/m ² (78 lb liner)
	Polyester	220 g/m ² (59 lb bond)	220 g/m ² (59 lb bond)
Integrated forms	Pressure sensitive area ²	140 to 175 g/m ²	140 to 175 g/m ²
	Paper base (grain long)	75 to 135 g/m ² (20 to 36 lb bond)	75 to 135 g/m ² (20 to 36 lb bond)

¹ See Grain direction on page 99 for specific recommendations.

² Pressure-sensitive area must enter the printer first for grain short paper.

³ The Lexmark T622 does not support vinyl labels.

⁴ Due to label design characteristics, unacceptable feeding may be experienced from the multipurpose feeder.

Grain direction

Grain refers to the alignment of the paper fibers in a sheet of paper. Grain is either grain long, running the length of the paper, or grain short, running the width of the paper.

For 60 to 135 g/m² (16 to 36 lb bond) paper, we recommend grain long stock. For papers heavier than 135 g/m² (36 lb bond), grain short is preferred. For the multipurpose feeder, we recommend 60 to 135 g/m² (16 to 36 lb bond) paper, grain long. If you feed papers heavier than 135 g/m² (36 lb bond) from the multipurpose feeder, grain short is preferred.

Maintenance procedures

If the print quality begins to degrade when printing sheets of vinyl labels, we suggest you follow the three cleaning steps below:

- 1** Print 5 sheets of paper.
- 2** Wait approximately 5 seconds.
- 3** Print 5 more sheets of paper.

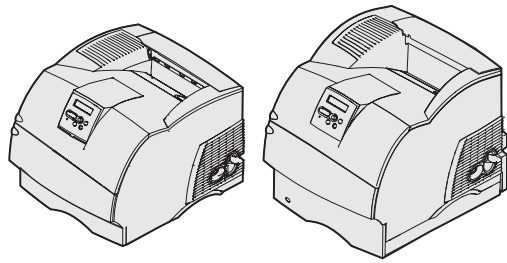
To maintain printer feeding reliability, repeat this cleaning process every time you replace the print cartridge, more often with some media. Failure to follow maintenance procedures could cause jamming, poor print quality, feeding problems, and fuser problems.

Troubleshooting

The following table provides solutions for some common card stock and label problems. See your printer documentation for more troubleshooting information.

Solutions to printing problems

Problem	Solution
Print on heavy stock is blurred or out of focus.	Make sure the Paper Type setting is appropriate for your print material. (Card stock in excess of 203 g/m ² [54 lb bond] may not produce acceptable print results.)
	Print 5 sheets of paper, wait approximately 5 seconds, print 5 more sheets of paper to remove any toner that may have accumulated.
Toner rubs off the page.	Make sure the Paper Type setting is appropriate for your print material.
	Use a lighter weight stock. (The material being used exceeds 300 g/m ²).
	Print 5 sheets of paper, wait approximately 5 seconds, print 5 more sheets of paper to remove any toner that may have accumulated.
Printing shows voids.	Change the Paper Type to Plain Paper.
	Print 5 sheets of paper, wait approximately 5 seconds, print 5 more sheets of paper to remove any toner that may have accumulated.



Lexmark T630, T632, T634

The Lexmark T630, T632, and T634 print on many labels designed for use with laser printers.

The following table lists the maximum basis weights supported by the trays and the multipurpose feeder. More detailed specifications appear on the following pages.

Lexmark T630, T632, T634: Overview of card stock and label support

Paper source	Card stock ¹			Labels ²			
	Index Bristol	Tag	Cover	Paper	Dual-web paper	Polyester	Vinyl
Integrated tray	199 g/m ²	203 g/m ²	216 g/m ²	180 g/m ²	180 g/m ²	220 g/m ²	300 g/m ²
Optional 250-sheet drawer	163 g/m ²	163 g/m ²	176 g/m ²	163 g/m ²	163 g/m ²	220 g/m ²	260 g/m ²
Optional 500-sheet drawer	199 g/m ²	203 g/m ²	216 g/m ²	180 g/m ²	180 g/m ²	220 g/m ²	300 g/m ²
Multipurpose feeder ³	163 g/m ²	163 g/m ²	176 g/m ²	163 g/m ²	163 g/m ²	220 g/m ²	260 g/m ²

¹ Grain short.
² Printing labels on the T630, T632 and T634 require a special label fuser cleaner that prevents duplexing. It is recommended that when you run vinyl labels, you install a special oil fuser cleaner, P/N 56P1415. When you order a new cartridge, be sure to order the cartridge that will include the correct fuser cleaner. It is possible to duplex certain labels that have been specifically designed for this application. To duplex labels, consult the Lexmark "Converter Lists" to see which converters have successfully developed this type of label, and you must install a special fuser wiper. The wax wiper that is used with the T630, T632, and T634 is P/N 56P2109. (Cartridges designed for duplex label printing contain two wax wipers. Change the wax wiper at the halfway point of your normal cartridge usage to provide additional cleaning and optimize performance.)
³ Due to label design characteristics, unacceptable feeding may be experienced from the multipurpose feeder.

For paper and transparency specifications, see the publications CD.

The following table indicates the paper sizes each tray supports.

Paper source specifications for all media

Source	Standard sizes (width x length)		Universal sizes (width x length)	
	Minimum	Maximum	Minimum	Maximum
Standard tray, 250-sheet drawer, 500-sheet drawer	148 x 210 mm (5.83 x 8.27 in.)	215.9 x 355.6 mm (8.5 x 14 in.)	139.7 x 210 mm (5.5 x 8.27 in.)	215.9 x 355.6 mm (8.5 x 14 in.)
Multipurpose feeder	148 x 210 mm (5.83 x 8.27 in.)	215.9 x 355.6 mm (8.5 x 14 in.)	69.85 x 127 mm (2.75 x 5 in.)	229 x 355.6 mm (9.01 x 14 in.)

If you load paper that is narrower than 148 mm (5.83 in.) in the multipurpose feeder (for example, 3x5-inch index cards), set the MP Feeder Size menu item to Universal.

Media specifications

Labels	Thickness:	0.102 to 0.305 mm (0.004 to 0.012 in.)
	Smoothness:	100 to 400* Sheffield

* 150–250 Sheffield is optimal. Using media higher than 300 Sheffield could result in printing degradation.

Card stock	Weight:	Up to 199 g/m ² Index Bristol (90 lb)
		Up to 203 g/m ² Tag (100 lb)

Standard trays and special media trays

The Lexmark T630, T632, and T634 paper feeding mechanism uses advanced technology that enhances feeding reliability. The standard Lexmark T630, T632, and T634 tray, which holds 250 or 500 sheets of bond paper, reliably feeds all media tested according to the guidelines specified under Dimensions on page 7.

For those difficult-to-print sizes, such as 3-inch x 5-inch index cards, Lexmark offers a variety of special media trays and drawers.

Note: Optional 250-sheet Universally Adjustable Trays can be used to print forms with a minimum length of 5 inches using a T630 when installed either in the integral tray location or in a 250-sheet drawer under a 250-sheet integral tray. Optional 250-sheet Universally Adjustable Trays support forms with a minimum length of 7 inches on a T632. Optional 400-sheet Universally Adjustable Trays support forms with a minimum length of 7 inches on the T630, T632 and T634.

Special media options

Source	Part number
250-Sheet Special Media Tray	11K1572
250-Sheet Special Media Drawer	11K1573
250-Sheet Universally Adjustable Tray	11K1574
250-Sheet Universally Adjustable Drawer	11K1878
500-Sheet Special Media Tray	11K1921
500-Sheet Special Media Tray + Drawer	11K1922
400-Sheet Universally Adjustable Tray	11K1941
400-Sheet Universally Adjustable Tray + Drawer	11K1942
* No longer available from Lexmark	

Pick roller technology

Like the Optra S and Optra T, the Lexmark T52x, T62x, and T63x family of printers use an auto compensator to pick the media rather than the corner buckler system used by earlier printer models.

The Lexmark T630, T632 and T634 trays have two rollers that touch the media in two places (see **Figure 17 on page 103**). Avoid placing deep perforations in these areas since the media may nest, causing multiple sheet feeds. Perforations that could cause nesting and tenting should fall outside the 0.3–0.79 in. area on the leading edge of the media. (This is different from the 0.50 in. we recommend leaving at the top of the form for printers with a corner buckler system.) You may want to use micro-perfs to avoid nesting problems. See Perforations and die-cuts on page 8 for more information.

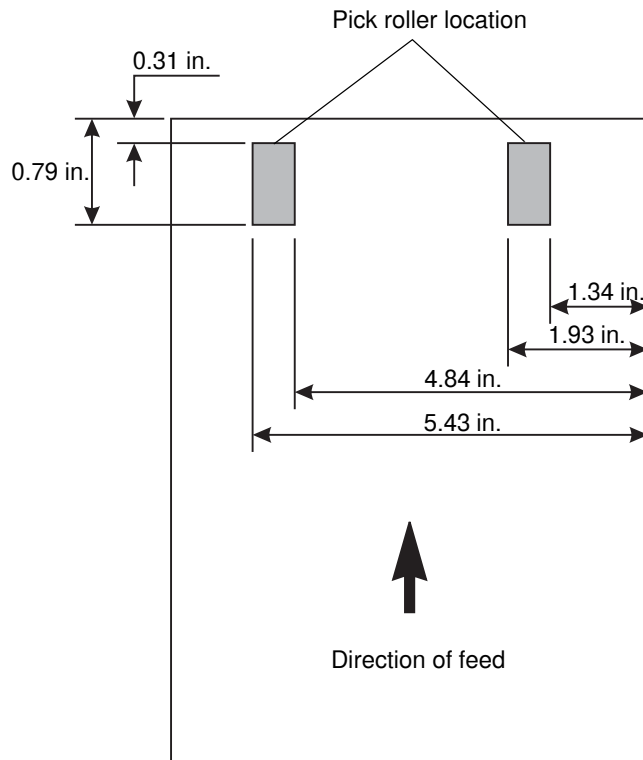


Figure 17. Location of pick rollers

Label printing

Labels are one of the most difficult print materials for laser printers. A special fuser cleaner should be used for label applications to optimize feed reliability. See your printer documentation for information on ordering label fuser cleaners.

When printing on labels:

- Using the printer operator panel, set the Paper Type to Labels in the Paper Menu. For vinyl and other heavy labels, set the Labels Weight (under the Paper Weight menu) to Heavy, and set the Labels Texture (under the Paper Texture menu) to Smooth.

Note: When Paper Type is set to Labels, and Labels Weight is set to Heavy, the printer reduces the printing speed to 30 ppm, to ensure acceptable printing.

- Do not load labels together with paper or transparencies in the same paper tray. Combining print materials can cause feeding problems.
- Use full label sheets. Partial sheets may cause labels to peel off during printing, resulting in a paper jam. Adhesive material may contaminate your printer. It could also void your printer and cartridge warranties.

When feeding labels, the number of labels per sheet can affect registration more than basis weight. Typically, the more labels per sheet, the better the registration.

When printing on card stock:

- Set the Paper Type to Card Stock in the Paper Menu.
- Do not use card stock that is creased. It may cause paper jams.

Print material specifications

Print material		Range or maximum weight supported	
		250-sheet and 500-sheet trays	Multipurpose feeder ³ and optional 250-sheet drawer
Paper (grain Long)	Xerographic or business paper	60 to 176 g/m ² (16 to 47 lb bond)	60 to 135 g/m ² (16 to 36 lb bond)
Card stock (grain long ¹)	Index Bristol	163 g/m ² (90 lb)	120 g/m ² (67 lb)
	Tag	163 g/m ² (100 lb)	120 g/m ² (74 lb)
	Cover	176 g/m ² (65 lb)	135 g/m ² (50 lb)
Card stock (grain short ¹)	Index Bristol	199 g/m ² (110 lb)	163 g/m ² (90 lb)
	Tag	203 g/m ² (125 lb)	163 g/m ² (100 lb)
	Cover	216 g/m ² (80 lb)	176 g/m ² (65 lb)
Labels	Paper	180 g/m ² (48 lb bond)	163 g/m ² (43 lb bond)
	Dual-Web Paper	180 g/m ² (48 lb bond)	163 g/m ² (43 lb bond)
	Vinyl ³	300 g/m ² (92 lb liner)	260 g/m ² (78 lb liner)
	Polyester	220 g/m ² (59 lb bond)	220 g/m ² (59 lb bond)
Integrated forms	Pressure-sensitive area ²	140 to 175 g/m ²	140 to 175 g/m ²
	Paper base (grain long)	75 to 135 g/m ² (20 to 36 lb bond)	75 to 135 g/m ² (20 to 36 lb bond)

¹ See Grain direction on page 105 for specific recommendations.

² Pressure-sensitive area must enter the printer first for grain short paper.

³ Due to label design characteristics, unacceptable feeding may be experienced from the multipurpose feeder.

Grain direction

Grain refers to the alignment of the paper fibers in a sheet of paper. Grain is either grain long, running the length of the paper, or grain short, running the width of the paper.

For 60 to 135 g/m² (16 to 36 lb bond) paper, we recommend grain long stock. For papers heavier than 135 g/m² (36 lb bond), grain short is preferred. For the multipurpose feeder, we recommend 60 to 135 g/m² (16 to 36 lb bond) paper, grain long. If you feed papers heavier than 135 g/m² (36 lb bond) from the multipurpose feeder, grain short is preferred.

Maintenance procedures

If the print quality begins to degrade when printing sheets of vinyl labels, we suggest you follow the three cleaning steps below:

- 1** Print 5 sheets of paper.
- 2** Wait approximately 5 seconds.
- 3** Print 5 more sheets of paper.

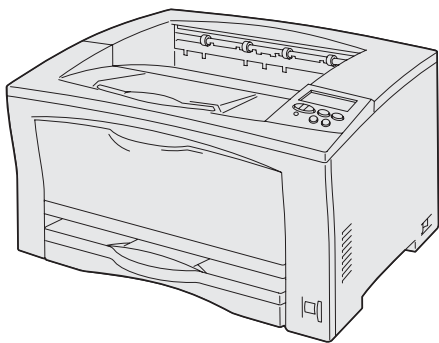
To maintain printer feeding reliability, repeat this cleaning process every time you replace the print cartridge, more often with some media. Failure to follow maintenance procedures could cause jamming, poor print quality, feeding problems, and fuser problems.

Troubleshooting

The following table provides solutions for some common card stock and label problems. See your printer documentation for more troubleshooting information.

Solutions to printing problems

Problem	Solution
Print on heavy stock is blurred or out of focus.	Make sure the Paper Type, Paper Weight, and Paper Texture settings are appropriate for your print material. (Card stock in excess of 203 g/m ² [54 lb bond] may not produce acceptable print results.)
	Print 5 sheets of paper, wait approximately 5 seconds, and then print 5 more sheets of paper to remove any toner that may have accumulated.
Toner rubs off the page.	Make sure the Paper Type setting is appropriate for your print material.
	Use a lighter weight stock. (The material being used exceeds 300 g/m ² .)
	Print 5 sheets of paper, wait approximately 5 seconds, and then print 5 more sheets of paper to remove any toner that may have accumulated.
Printing shows voids.	Change the Paper Type to Plain Paper.
	Print 5 sheets of paper, wait approximately 5 seconds, and then print 5 more sheets of paper to remove any toner that may have accumulated.



Lexmark W812

The Lexmark W812 prints on many labels designed for use with laser printers.

The following table lists the maximum basis weights supported by the trays and the multipurpose feeder.

Lexmark W812: Overview of card stock and label support

Paper source	Card stock			Labels	
	Index Bristol	Tag	Cover	Paper	Vinyl
250-sheet tray 1*	—	—	—	—	—
Multipurpose feeder	111 g/m ²	123 g/m ²	74 g/m ²	200 g/m ²	—
250 sheet option *	111 g/m ²	123 g/m ²	74 g/m ²	200 g/m ²	—
500 sheet option	—	—	—	—	—

* The standard 250-sheet tray (tray 1) does *not* support card stock or labels.

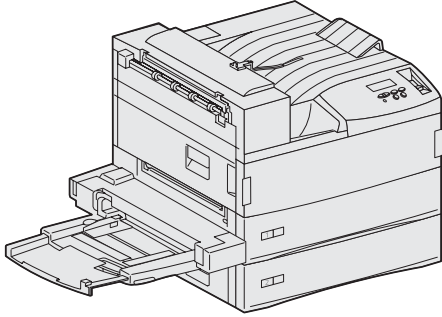
For paper and transparency specifications, see the publication CD that came with your printer.

Media specifications

Labels	Width—Multipurpose feeder:	87 to 297 mm (3.43 to 11.69 in.)
	Length—Multipurpose feeder:	98 to 508 mm (3.86 to 20 in.)
	Width & Length—Optional 250-sheet trays:	<i>Standard sizes:</i> A3, A4, A5, JIS B4, JIS B5, letter, legal, 8.5x13, 11x17
	Weight:	64 to 200 g/m ²
	Thickness:	0.13 to 0.20 mm (0.005 to 0.008 in.)
	Smoothness:	100 to 400 Sheffield*

* 150–250 Sheffield is optimal. Using media higher than 300 Sheffield could result in printing degradation.

Card stock	Width:	210 to 216 mm (8.3 to 8.5 in.)
	Length:	279 to 356 mm (11 to 11.7 in.)
	Weight:	Up to 163 g/m ²



Lexmark W820

Limit label printing to occasional use of A4 or letter size paper office labels designed for laser printers. We do not recommend using vinyl or polyester labels.

The Lexmark W820 supports stocks up to 163 g/m². *Always* feed labels and card stock from trays 1, 2, or 3 each of which can hold up to 250 sheets of labels or card stock.

The following table lists the maximum basis weights supported by the trays and the multipurpose feeder.

Lexmark W820: Overview of card stock and label support

	Trays 1	Trays 2, 3	Trays 4, 5	Multipurpose Feeder
Media types	Paper, Bond, Card stock, Labels, Transparencies	Paper, Bond, Card stock, Labels	Paper, Bond	Paper, Bond, Card stock, Labels, Transparencies, Envelopes
Weight	60–163 g/m ²	60–163 g/m ²	60–105 g/m ²	120 to 128 g/m ²

For paper and transparency specifications, see the printer publications CD.

Media specifications

Labels	Width:	210 to 216 mm (8.3 to 8.5 in.)
	Length:	279 to 356 mm (11 to 11.7 in.)
	Weight:	120 to 128 g/m ²
	Thickness:	0.13 to 0.20 mm (0.005 to 0.008 in.)
	Smoothness:	100 to 400 Sheffield*

* 150–250 Sheffield is optimal. Using media higher than 300 Sheffield could result in printing degradation.

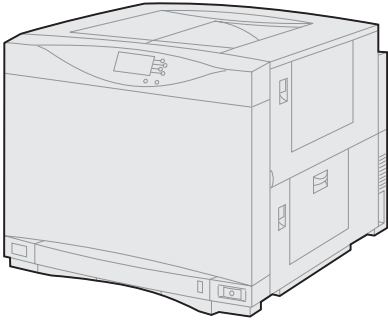
Card stock	Width:	210 to 216 mm (8.3 to 8.5 in.)
	Length:	279 to 356 mm (11 to 11.7 in.)
	Weight:	Up to 163 g/m ²

When printing on labels:

- Set the Paper Type to Labels in the Paper Menu.
- Do not use label sheets with a slick backing material.
- Do not print within 1 mm (0.04 in.) of the die cut, the edge of the label or the perforations, or between the die cuts.
- Use full label sheets. Partial sheets may cause labels to peel off during printing, resulting in a paper jam.
- Do not use label sheets that have adhesive to the edge of the sheet. We recommend zone coating of the adhesive at least 1 mm (0.04 in.) away from the edges. Adhesive material may contaminate your printer and could void your warranty.

When printing on card stock:

- Set the Paper Type to Card Stock.
- Do not use card stock that is creased. It may cause paper jams.
- We recommend the use of grain long card stock.

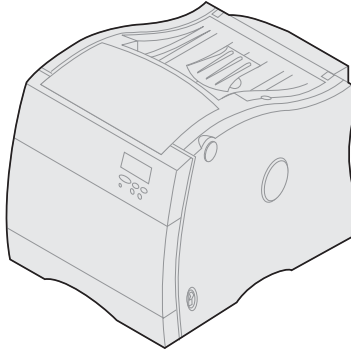


Optra C

We do not recommend using card stock or labels with this printer.

Card stock and labels are *not supported* from any of the paper trays.

For paper and transparency specifications, see the printer *User's Guide*.



Optra C710

Limit label printing to occasional use of paper office labels designed for laser printers. We do not recommend using vinyl or polyester labels.

The Optra C710 supports stocks up to 90 lb (163 g/m²). Feed labels from the multipurpose feeder only, which holds up to 30 sheets of card stock or labels.

The following table lists the maximum basis weights supported by the multipurpose feeder.

Optra C710: Overview of card stock and label support

Paper source	Card stock			Labels	
	Index Bristol	Tag	Cover	Paper	Vinyl
Multipurpose feeder	163 g/m ²	163 g/m ²	—	163 g/m ²	—

For paper and transparency specifications, see the printer *User's Guide*.

Media specifications

Labels	Width:	210 to 216 mm (8.3 to 8.5 in.)
	Length:	279 to 297 mm (11 to 11.7 in.)
	Weight:	120 to 163 g/m ² (32 to 43 lb)
	Thickness:	0.13 to 0.20 mm (0.005 to 0.008 in.)
	Smoothness:	100 to 400 Sheffield*

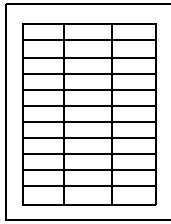
*150–250 Sheffield is optimal. Using media higher than 300 Sheffield could result in printing degradation.

Card stock	Weight:	Up to 163 g/m ² Index Bristol (90 lb)
		Up to 163 g/m ² Tag (100 lb)

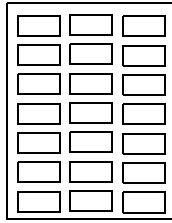
When printing on labels:

- Only use label sheets that have no gaps between the labels.

Acceptable labels



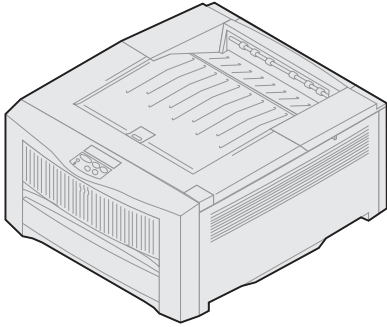
Unacceptable labels



- From the operator panel or from MarkVision Professional, set the Paper Type to Labels.
- Do not print a large number of labels continuously.
- Do not use labels that have coating or sizing applied to make the labels liquid-resistant.
- Do not use labels that have exposed adhesive on the label sheets.

When printing on card stock:

- We recommend using Springhill Index Plus 90 lb card stock.
- For the best print quality, always set the Paper Type to Card Stock.



Optra Color 1200

Limit label printing to occasional use of paper office labels designed for laser printers. We do not recommend using vinyl or polyester labels.

The Optra Color 1200 supports stock up to 43 lb (163 g/m²).

Always feed labels and card stock from the multipurpose feeder. The multipurpose feeder holds up to 50 sheets of labels or card stock.

The following table lists the maximum basis weights supported by the multipurpose feeder.

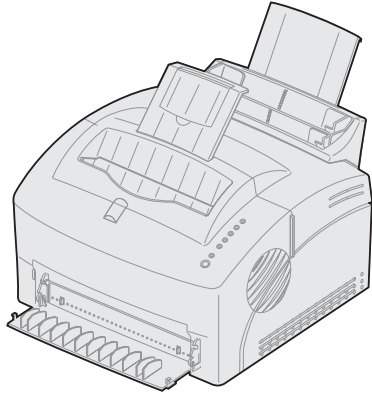
Optra Color 1200: Overview of card stock and label support

Paper source	Card stock			Labels	
	Index Bristol	Tag	Cover	Paper	Vinyl
Multipurpose feeder	163 g/m ²	163 g/m ²	—	135 g/m ²	—

For paper and transparency specifications, see the printer User's Guide.

Media specifications

Labels	Width:	210 to 216 mm (8.3 to 8.5 in.)
	Length:	279 to 356 mm (11 to 14 in.)
	Weight:	60 to 135 g/m ²
Card stock	Weight	Up to 163 g/m ² Index Bristol (90 lb)
		Up to 163 g/m ² Tag (100 lb)



Optra E310, E312

Limit label printing to occasional use of paper office labels designed for laser printers. We do not recommend using vinyl or polyester labels.

The Optra E310 and Optra E312 support stocks up to 43 lb (163 g/m²). The automatic paper feeder can hold up to 10 sheets of card stock or labels.

The following table lists the maximum basis weights supported by the automatic paper feeder and the multipurpose feeder.

Optra E310, E312: Overview of card stock and label support

Paper Source	Card Stock			Labels	
	Index Bristol	Tag	Cover	Paper	Vinyl
Automatic Paper Feeder	163 g/m ²	163 g/m ²	—	163 g/m ²	—
Manual Sheet Feeder	163 g/m ²	163 g/m ²	—	163 g/m ²	—

For paper and transparency specifications, see the printer *User's Guide*.

Media specifications

Labels	Width:	210 to 216 mm (8.3 to 8.5 in.)
	Length:	279 to 297 mm (11 to 11.7 in.)
	Weight:	Up to 163 g/m ² (43 lb)
	Thickness:	Up to 0.25 mm (0.01 in.)
	Smoothness:	100 to 400* Sheffield

* 150–250 Sheffield is optimal. Using media higher than 300 Sheffield could result in printing degradation.

Card stock	Weight:	Up to 163 g/m ² Index Bristol (90 lb)
		Up to 163 g/m ² Tag (100 lb)

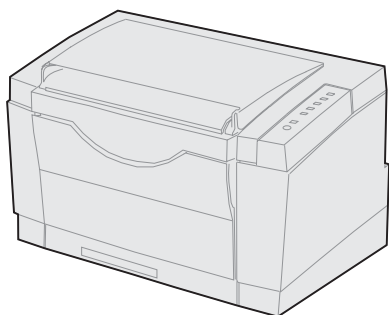
Note: Always use the front exit when printing on card stock. To minimize curl, use the front exit when printing on labels.

Maintenance procedures

If the print quality begins to degrade when printing sheets of labels, we suggest you follow the three cleaning steps below:

- 1 Print 5 sheets of paper.
- 2 Wait approximately 5 seconds.
- 3 Print 5 more sheets of paper.

To maintain printer feeding reliability, repeat this cleaning process every time you replace the print cartridge, more often with some media. Failure to follow maintenance procedures could cause jamming, poor print quality, feeding problems, and fuser problems.



Optra E, Ep

Limit label printing to occasional use of paper office labels designed for laser printers. We do not recommend using vinyl or polyester labels.

The Optra E and Optra Ep support stocks up to 43 lb (163 g/m²). Tray 1 can hold up to 10 sheets of card stock or labels.

The following table lists the maximum basis weights supported by tray 1 and the manual feed slot.

Optra E and Ep: Overview of card stock and label support

Paper source	Card stock			Labels	
	Index Bristol	Tag	Cover	Paper	Vinyl
Tray 1	163 g/m ²	163 g/m ²	—	150 g/m ²	—
Manual feed slot	163 g/m ²	163 g/m ²	—	150 g/m ²	—

For paper and transparency specifications, see the printer User's Guide.

Media specifications

Labels	Width:	210 to 216 mm (8.3 to 8.5 in.)
	Length:	279 to 297 mm (11 to 11.7 in.)
	Weight:	120 to 150 g/m ² (32 to 39 lb)
	Thickness:	0.13 to 0.25 mm (0.005 to 0.01 in.)
	Smoothness:	100 to 400 Sheffield*

* 150–250 Sheffield is optimal. Using media higher than 300 Sheffield could result in printing degradation.

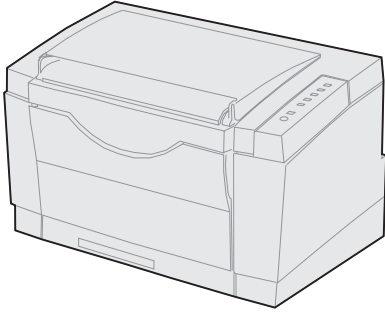
Card stock	Weight:	Up to 163 g/m ² Index Bristol (90 lb)
		Up to 163 g/m ² Tag (100 lb)

Maintenance procedures

If the print quality begins to degrade when printing sheets of vinyl labels, we suggest you follow the three cleaning steps below:

- 1 Print 5 sheets of paper.
- 2 Wait approximately 5 seconds.
- 3 Print 5 more sheets of paper.

To maintain printer feeding reliability, repeat this cleaning process every time you replace the print cartridge, more often with some media. Failure to follow maintenance procedures could cause jamming, poor print quality, feeding problems, and fuser problems.



Optra Es special media printer

The Optra Es printer has highly precise print registration and excellent feeding reliability. It was designed to handle a wide range of paper and card stock weights, as well as continuous printing of labels.

The following table lists the maximum basis weights supported by tray 1 and the manual feed slot. More detailed specifications appear on the following pages.

Optra Es: Overview of card stock and label support

Paper source	Card stock			Labels	
	Index Bristol	Tag	Cover	Paper	Vinyl
Tray 1	199 g/m ²	163 g/m ²	176 g/m ²	180 g/m ²	300 g/m ²
Manual feed slot	199 g/m ²	163 g/m ²	176 g/m ²	180 g/m ²	300 g/m ²

For paper and transparency specifications, see the printer *User's Guide*.

Selecting and loading media

When you select the correct Paper Type (Normal, Rough Paper, Card Stock, Transparency, Labels) from MarkVision Professional, your printer automatically optimizes print quality and toner adhesion.

Feed labels, card stock, transparencies, and envelopes from tray 1 or the manual feed slot. Reserve tray 2 for 20–24 lb bond paper. Do not load labels together with other media in the same paper tray; combining different print media can cause feeding problems. To avoid curl, do not leave labels in the tray overnight.

When feeding labels from tray 1, push the label lever to the left. When printing on other media, push the lever to the right.

To improve feed reliability, flex the print media before placing it in the paper tray.

Optra Es special media printer

Tray specifications

Source	Print media		Maximum stack height	Input capacity	Output capacity
Tray 1	Paper	20 lb bond	15 mm (0.6 in.)	150 sheets	100 sheets
		24 lb bond	15 mm (0.6 in.)	100 sheets	100 sheets
	Labels	Paper	13 mm (0.5 in.)	70 sheets	70 sheets
		Vinyl	13 mm (0.5 in.)	35–50 sheets	35–50 sheets
		Dual Web Forms Integrated Forms	13 mm (0.5 in.)	50–60 sheets	50–60 sheets
	Card stock ¹	Index 90 lb (163 gm ²)	7 mm (0.3 in.)	35 sheets	35 sheets
		Index 110 lb (199 gm ²)	7 mm (0.3 in.)	30 sheets	1 sheet
		Tag 100 lb (163 gm ²)	7 mm (0.3 in.)	30 sheets	30 sheets
	Envelopes (20 lb)		13 mm (0.5 in.)	10 envelopes	10 envelopes
	Transparencies		2.5 mm (0.1 in.)	10 sheets	10 sheets
Tray 2	Paper	20 lb bond	25 mm (1 in.)	250 sheets	250 sheets
		24 lb bond	25 mm (1 in.)	150 sheets	150 sheets
Manual	All supported media		—	1 sheet	1 sheet
¹ Card stock weights may vary \pm 5%. ² 110 lb Index recommended for applications using only solid black lines, text, or area fills. Applications using gray scales may have unpredictable results.					

Maintenance procedures

If the print quality begins to degrade when printing sheets of vinyl labels, we suggest you follow the three cleaning steps below:

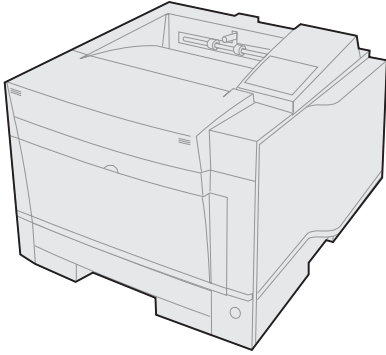
- 1 Print 5 sheets of paper.
- 2 Wait approximately 5 seconds.
- 3 Print 5 more sheets of paper.

To maintain printer feeding reliability, repeat this cleaning process every time you replace the print cartridge, more often with some media. Failure to follow maintenance procedures could cause jamming, poor print quality, feeding problems, and fuser problems.

Summary

Your printer can accept a wide range of paper or card stock weights, but materials either too light or too heavy can cause paper handling and print quality problems. Heavier weight materials can cause fusing problems because of the mass of material the fuser must heat quickly. Heavy materials may also feed less reliably or skew because of their weight or stiffness. Lighter materials can wrinkle or jam.

When you use preprinted forms, make sure the ink on the forms can withstand the printer fuser temperature of 200°C (392°F); otherwise, you risk contaminating the printer or creating hazardous fumes.



Optra K 1220

Limit label printing to occasional use of paper office labels designed for laser printers. We do not recommend using vinyl or polyester labels or card stock with the Optra K 1220 printer.

Always feed labels from the manual feed tray or the optional multipurpose feeder. The multipurpose feeder can hold up to 30 sheets of labels.

The following table lists the maximum basis weights supported by each of the printer trays.

Optra K 1220: Overview of card stock and label support

Paper source	Card stock			Labels	
	Index Bristol	Tag	Cover	Paper	Vinyl
Multipurpose feeder	—	—	—	150 g/m ²	—
Manual feed tray	—	—	—	150 g/m ²	—

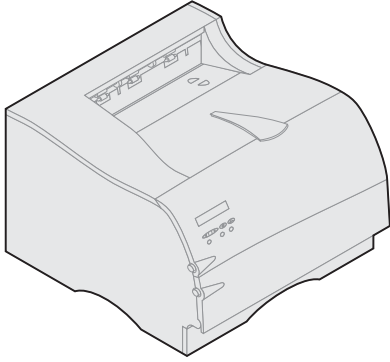
For paper and transparency specifications, see the printer *User's Guide*.

When printing on labels:

- From the operator panel or from MarkVision, set the Paper Type to Labels. Set the Paper Weight to either Normal or Heavy for optimum print quality.
- To minimize curl, make sure the rear exit bin is open so the labels feed straight out the back of the printer.
- Do not print a large number of labels continuously.
- Do not use labels that have exposed adhesive on the label sheets.

Media specifications

Labels	Width:	210 to 216 mm (8.3 to 8.5 in.)
	Length:	279 to 356 mm (11 to 14 in.)
	Weight:	120 to 150 g/m ² (32 to 40 lb)



Optra M410, M412

The Optra M410 and Optra M412 print on many labels designed for use with laser printers.

The following table lists the basis weights supported by the multipurpose feeder and the 250-sheet label tray, P/N 4K00293.

Optra M410: Overview of card stock and label support

Paper source	Card stock			Labels			
	Index Bristol	Tag	Cover	Paper	Vinyl	Dual web	Integrated
Multipurpose feeder	Up to 199 g/m ²	Up to 163 g/m ²	Up to 176 g/m ²	120–180 g/m ²	260–300 g/m ²	140–180 g/m ²	140–175 g/m ²
250-sheet label tray	—	—	—	120–180 g/m ²	260–300 g/m ²	140–180 g/m ²	140–175 g/m ²

You can try occasional label printing from tray 1, but we recommend you use the multipurpose feeder. The optional 500-sheet drawer should only be used to feed paper; it does not support card stock and label printing.

The 250-sheet label tray option accommodates plain paper, transparencies, simple paper labels, dual web paper labels, and vinyl labels. Lightweight plain paper (less than 20 lb. bond) is not supported.

To reliably feed lightweight plain paper and some lightweight labels, use the standard 250-sheet input tray that comes with your printer.

The label tray can hold up to 100 labels.

For paper and transparency specifications, see the printer *User's Guide*.

Tray specifications

Source	Print media	Capacity
Multipurpose feeder	Labels card stock	30 labels 10 sheets card stock
250-sheet label tray	Labels	100 labels

When printing on labels:

- From the operator panel or MarkVision Professional, set the Paper Type to Labels.
- Do *not* load labels together with paper or transparencies in the same paper source.
- To minimize curl, make sure the rear exit bin is open so the labels feed straight out the back of the printer.
- Do *not* use label sheets with a slick backing material.
- Do *not* print within 1 mm (0.040 in.) of the die cut.
- Use full label sheets. Partial sheets may cause labels to peel off during printing, resulting in a paper jam. Partial sheets will also contaminate your printer and your cartridge with adhesive, and could void your printer and cartridge warranties.
- Do *not* print within 1 mm (0.040 in.) of the edge of the label, of the perforations, or between die-cuts of the label.
- Do *not* use label sheets that have adhesive to the edge of the sheet. We recommend zone coating of the adhesive at least 1 mm (0.040 in.) away from edges. Adhesive material will contaminate your printer and could void your warranty.
- If zone coating of the adhesive is not possible, a 3 mm (0.125 in.) strip should be removed on the leading and driver edge, and a non-oozing adhesive should be used.
- Remove a 3 mm (0.125 in.) strip from the leading edge to prevent labels from peeling inside the printer.
- Portrait orientation is preferred, especially when printing bar codes.
- Do *not* use labels that have exposed adhesive.
- For best results when using the *multipurpose feeder*, dual web and integrated labels should be fed paper end first.
- For best results when using the *250-sheet label tray*, dual web and integrated labels should be fed label end first.

When printing on card stock:

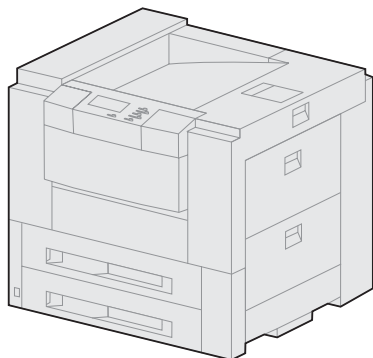
- From the operator panel or MarkVision Professional, set the Paper Type to Card Stock.
- Do *not* use preprinted card stock manufactured with chemicals that may contaminate the printer.
- Do *not* use card stock that is creased. It may cause paper jams.
- To minimize curl, make sure the rear exit bin is open so the card stock feeds straight out the back of the printer.
- We recommend the use of grain short card stock.

Maintenance procedures

If the print quality begins to degrade when printing sheets of vinyl labels, we suggest you follow the three cleaning steps below:

- 1** Print 5 sheets of paper.
- 2** Wait approximately 5 seconds.
- 3** Print 5 more sheets of paper.

To maintain printer feeding reliability, repeat this cleaning process every time you replace the print cartridge, more often with some media. Failure to follow maintenance procedures could cause jamming, poor print quality, feeding problems, and fuser problems.



Optra N

Limit label printing to occasional use of paper office labels designed for laser printers. We do not recommend using vinyl or polyester labels.

Always feed labels from the multipurpose tray. The multipurpose tray can hold up to 50 sheets of labels.

The Optra N supports print materials up to 34 lb (128 g/m²).

The following table lists the maximum basis weights supported by the multipurpose tray.

Optra N: Overview of card stock and label support

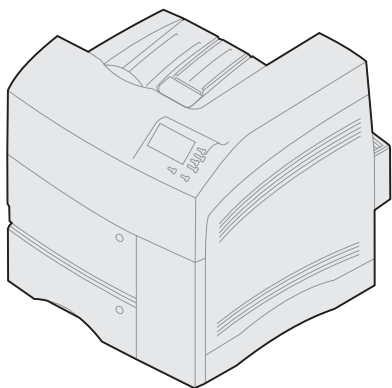
Paper source	Card stock			Labels	
	Index Bristol	Tag	Cover	Paper	Vinyl
Multipurpose Tray	—	—	—	128 g/m ²	—

For paper and transparency specifications, see the printer *User's Guide*.

Media specifications

Labels	Width:	210 to 216 mm (8.3 to 8.5 in.)
	Length:	279 to 356 mm (11 to 14 in.)
	Weight:	120 to 128 g/m ² (32 to 34 lb)
	Thickness:	0.13 to 0.20 mm (0.005 to 0.008 in.)
	Smoothness:	100 to 400 Sheffield*

* 150–250 Sheffield is optimal. Using media higher than 300 Sheffield could result in printing degradation.



Optra plus, 4039, 4029, 4019, WinWriter 600 printers

The following table lists the maximum basis weights supported by each of the special card stock and label trays, as well as the manual feed tray. More detailed specifications appear on the following pages.

Overview of card stock and label support

Paper source	Card stock			Labels	
	Index Bristol	Tag	Cover	Paper	Vinyl
200-sheet heavy duty tray	163 g/m ²	163 g/m ²	176 g/m ²	150 g/m ²	265 g/m ²
500-sheet tray (450 grams)	90 g/m ²	—	—	—	—
500-sheet tray (550 grams)	135 g/m ²	135 g/m ²	135 g/m ²	165 g/m ²	—
500-sheet tray (650 grams)	163 g/m ²	163 g/m ²	176 g/m ²	175 g/m ²	300 g/m ²
500-sheet tray (750 grams)	199 g/m ²	203 g/m ²	216 g/m ²	180 g/m ²	300 g/m ²
Manual feed tray	253 g/m ²	241 g/m ²	285 g/m ²	263 g/m ²	300 g/m ²

For paper and transparency specifications, see your printer *User's Guide*.

As the following table indicates, the paper tray capacities vary depending on the print material construction. See your printer documentation for additional specifications.

Estimated tray capacities for labels

Label material	200-sheet heavy duty tray	500-sheet card stock & label tray
Paper, dual web	125 sheets	250 sheets
Vinyl, polyester	70 sheets	200 sheets

The table on **Page 122** lists the print material specifications for the special card stock and label trays, as well as guidelines for the tray position (upper or lower drawer). This information is intended to convey general guidelines for tray and drawer selection. We recommend that you test your selected print material to determine the best tray and drawer selection for your application. The material type, rigidity, sizing, perforations, die-cuts, surface, and so on influence printing reliability. Contact your point of purchase for more information on the optional trays available for your printer.

Note: If you use materials with a basis weight over 135 g/m² (36 lb bond), print registration and skew may be unpredictable.

Maintenance procedures

For reliable printer performance when feeding card stock and labels, follow the appropriate maintenance procedures outlined in the following sections.

Optra plus, Optra, 4039 12C (with serial numbers after BC143), and 4039 10 plus printers

If the print quality begins to degrade when printing sheets of vinyl labels, we suggest you follow the three cleaning steps below:

- 1** Print 5 sheets of paper.
- 2** Wait approximately 5 seconds.
- 3** Print 5 more sheets of paper.

To maintain printer feeding reliability, repeat this cleaning process every time you replace the print cartridge, more often with some media. Failure to follow maintenance procedures could cause jamming, poor print quality, feeding problems, and fuser problems.

If your laser printer has a fuser cleaner, we recommend that you change it when you replace the print cartridge. If you are printing on labels or card stock, you may need to change the fuser cleaner more frequently. Check the fuser cleaner every 2,000 pages, and replace it if it is crusty or stiff. See your printer documentation for information about ordering additional fuser cleaners. Using a substitute cleaner may result in degraded print quality and may void your printer warranty.

Use a 4039 print cartridge (P/N 1380850 or 1380950) in Optra and Optra plus laser printers that are dedicated to printing labels. Machine engine code level 43.74 or later is required to use the 4039 cartridges in your Optra and Optra plus printer. Print the menus page from the Tests Menu to determine the level of engine code installed in your printer. Contact Lexmark customer support if you need assistance upgrading to a higher level.

Always use the fuser cleaner(s) that come(s) with these 4039 print cartridges. If you need additional fuser cleaners, order P/N 1380785. This particular fuser cleaner has oil in the pad to lubricate the fuser and prolong fuser life. It also lessens toner buildup on some labels, ensuring good print quality.

We recommend using the fuser cleaner shipped with Diamond Fine™ toner cartridges (P/N 1382100 or 1382150) when duplexing.

Note that 4039 print cartridges are not recommended for general use in Optra printers, since they cannot provide the 1200 dpi quality desirable for graphics and gray scaling. *Using third party non-Lexmark cartridges and fuser cleaners can void the printer warranty.* Using refilled non-Lexmark cartridges can result in toner build-up in the printer, which increases the potential of toner contamination.

Some card stock and labels generate a large amount of paper dust, debris, and chaff. To remove excess dust and debris, you may need to clean the inside of the printer frequently, possibly daily. Consult your printer documentation for specific instructions on how to properly clean your printer. Removing debris helps improve paper feeding and fuse grade.

See your printer documentation for other maintenance procedures to maintain the print quality and reliability of your printer.

4039 12C printers (with serial numbers prior to BC143)

If the print quality begins to degrade when printing sheets of vinyl labels, we suggest you follow the three cleaning steps below:

- 1 Print 5 sheets of paper.
- 2 Wait approximately 5 seconds.
- 3 Print 5 more sheets of paper.

To maintain printer feeding reliability, repeat this cleaning process every time you replace the print cartridge, more often with some media. Failure to follow maintenance procedures could cause jamming, poor print quality, feeding problems, and fuser problems.

WinWriter 600 (4035 5W), 4029, and 4019 printers

If the print quality begins to degrade when printing sheets of vinyl labels, we suggest you follow the three cleaning steps below:

- 1 Print 5 sheets of paper.
- 2 Wait approximately 5 seconds.

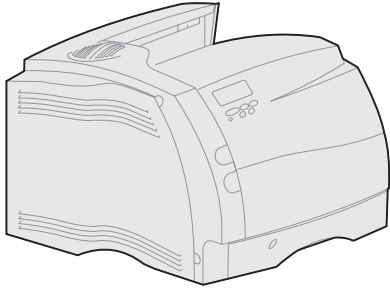
To maintain printer feeding reliability, repeat this cleaning process every time you replace the print cartridge, more often with some media. Failure to follow maintenance procedures could cause jamming, poor print quality, feeding problems, and fuser problems.

Troubleshooting

If your printer has a Paper Type setting, see the following table for solutions to common card stock and label problems. See your printer documentation for more information about the Paper Type setting and troubleshooting.

Recommended paper type settings

Problem	Solution
Print on heavy stock is blurred or out of focus.	Make sure the Paper Type setting is appropriate for your print material. Card stock in excess of 203 g/m ² (54 lb bond) may not produce acceptable results. Print 5 sheets of paper, wait approximately 5 seconds, then print 5 more sheets of paper to remove any toner that may have accumulated.
Toner rubs off the page.	Make sure the Paper Type setting is appropriate for your print material. If the material exceeds 300 g/m ² , use a lighter weight stock. Print 5 sheets of paper, wait approximately 5 seconds, then print 5 more sheets of paper to remove any toner that may have accumulated.
Printing shows voids.	Change the Paper Type to Normal. Print 5 sheets of paper, wait approximately 5 seconds, then print 5 more sheets of paper to remove any toner that may have accumulated.



Optra S

Optra S 1250, S 1255, S 1620, S 1625, S 1650, S 1855, S 2420, S 2450, S 2455, Se 3455

The following table lists the maximum basis weights supported by each of the printer trays. More detailed specifications appear on the following pages.

Optra S: Overview of card stock and label support

Paper Source	Card stock ¹			Labels	
	Index Bristol	Tag	Cover	Paper	Vinyl ²
250-sheet trays ³	199 g/m ²	203 g/m ²	216 g/m ²	180 g/m ²	300 g/m ²
500-sheet trays	199 g/m ²	203 g/m ²	216 g/m ²	180 g/m ²	300 g/m ²
Optional 250-sheet drawer	163 g/m ²	163 g/m ²	176 g/m ²	163 g/m ²	260 g/m ²
Multipurpose feeder ⁴	163 g/m ²	163 g/m ²	176 g/m ²	163 g/m ²	260 g/m ²

¹ Grain short.
² Optra Se 3455 does not support vinyl labels.
³ Except the tray for the optional 250-sheet drawer.
⁴ Due to label design characteristics, unacceptable feeding may be experienced from the multipurpose feeder.

For paper and transparency specifications, see the printer *User's Guide*.

Media specifications

Labels Thickness: 0.102 to 0.305 mm (0.004 to 0.012 in.)
 Smoothness: 100 to 400* Sheffield

* 150–250 Sheffield is optimal. Using media higher than 300 Sheffield could result in printing degradation.

Card stock Weight: Up to 199 g/m² Index Bristol (90 lb)
 Up to 203 g/m² Tag (100 lb)

The following table indicates the paper sizes each tray supports.

Paper source specifications for all media

Source	Standard sizes (width x length)		Universal sizes (width x length)	
	Minimum	Maximum	Minimum	Maximum
250-sheet tray 500-sheet tray	148 x 210 mm (5.83 x 8.27 in.)	215.9 x 355.6 mm (8.5 x 14 in.)	139.7 x 210 mm (5.5 x 8.27 in.)	215.9 x 355.6 mm (8.5 in. x 14 in.)
Multipurpose feeder	148 x 210 mm (5.83 x 8.27 in.)	215.9 x 355.6 mm (8.5 x 14 in.)	69.85 x 127 mm (2.75 in. x 5 in.)	229 x 355.6 mm (9.01 x 14 in.)

If you load paper that is narrower than 148 mm (5.83 in.) in the multipurpose feeder (for example, 3x5 inch index cards), set the MP Feeder Size menu item to Universal.

See your printer documentation for specifications on tray capacities.

Standard trays and special media trays

The Optra S paper feeding mechanism uses advanced technology that enhances feeding reliability. The standard Optra S tray, which holds 250 or 500 sheets of bond paper, reliably feeds all media designed according to the guidelines specified under Dimensions on page 7. If media does not conform to these guidelines, we recommend using the 250-sheet special media tray option, P/N 43H5410, to prevent double sheet feeds.

For those difficult-to-print sizes, such as 3-inch x 5-inch index cards, Lexmark offers a variety of special media tray and drawer options.

Special media options

Source	Part number
250-Sheet Special Media Tray	43H5535
250-Sheet Special Media Drawer	43H5540
250-Sheet Universally Adjustable Tray	43H5525
250-Sheet Universally Adjustable Drawer	43H5524
500-Sheet Special Media Tray	11K1886
500-Sheet Special Media Tray + Drawer	11K1902
400-Sheet Universally Adjustable Tray	11K1904
400-Sheet Universally Adjustable Tray + Drawer	11K1903

Pick roller technology

The Optra S family of printers uses a different type of pick roller than earlier Optra models. Earlier models used a corner buckler system to separate the sheets of media; the current Optra S uses an auto compensator. Media no longer has to be placed under a corner buckler.

The Optra S trays have two rollers that touch the media in two places (see **Figure 18 on page 127**). Avoid placing deep perforations in these areas since the media may nest, causing multiple sheet feeds. Perforations that could cause nesting and tenting should fall outside the 0.31–0.79 in. area on the leading edge of the media. (This is different from the 0.50 in.

we recommend leaving at the top of the form for printers with a corner buckler system.) You may want to use micro-perfs to avoid nesting problems. See Perforations and die-cuts on page 8 for more information.

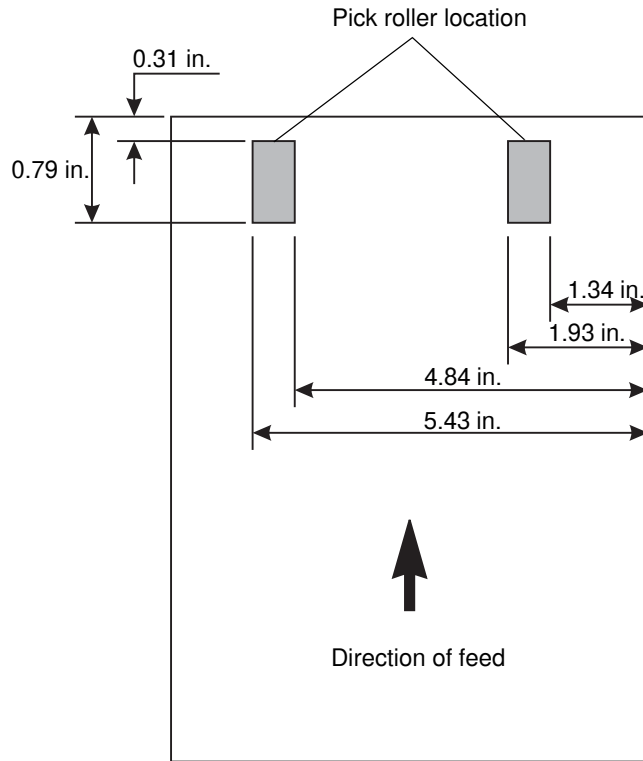


Figure 18. Location of pick rollers

Card stock and label guidelines

You can use many labels designed for laser printers with your Optra S printer. When printing on labels, use the printer operator panel to set the Paper Type to Labels in the Paper Menu. For vinyl and other heavy labels, set the Labels Weight (under the Paper Weight menu) to Heavy, and set the Labels Texture (under the Paper Texture menu) to Smooth.

Do not load labels together with paper or transparencies in the same paper tray. Combining print materials can cause feeding problems.

The table on **page 128** lists the print material specifications for card stock and labels. The information in these tables is intended to convey general guidelines for tray and drawer selection. The material type, rigidity, sizing, perforations, die-cuts, surface, and so on influence the performance reliability.

The duplex option supports all paper weights and types that the printer supports, except for transparencies and envelopes. Duplexing of specially designed labels is supported in the Optra S1855 printer.

You may notice skew or print registration problems if you feed materials over 135 g/m² from the multipurpose feeder or the optional 250-sheet drawer. You may notice similar problems if you feed materials over 176 g/m² from the primary 250-sheet tray or the optional 500-sheet drawer.

When feeding labels, the number of labels per sheet can affect registration more than basis weight. Typically, the more labels per sheet, the better the registration.

Print material specifications

Print material		Range or maximum weight supported	
		250-sheet and 500-sheet trays	Multipurpose feeder and optional 250-sheet drawer
Paper (grain long)	Xerographic or business paper	60 to 176 g/m ² (16 to 47 lb bond)	60 to 135 g/m ² (16 to 36 lb bond)
Card stock (grain long ¹)	Index Bristol	163 g/m ² (90 lb)	120 g/m ² (67 lb)
	Tag	163 g/m ² (100 lb)	120 g/m ² (74 lb)
	Cover	176 g/m ² (65 lb)	135 g/m ² (50 lb)
Card stock (grain short ¹)	Index Bristol	199 g/m ² (110 lb)	163 g/m ² (90 lb)
	Tag	203 g/m ² (125 lb)	163 g/m ² (100 lb)
	Cover	216 g/m ² (80 lb)	176 g/m ² (65 lb)
Labels	Paper	180 g/m ² (48 lb bond)	163 g/m ² (43 lb bond)
	Dual-Web Paper	180 g/m ² (48 lb bond)	163 g/m ² (43 lb bond)
	Vinyl	300 g/m ² (92 lb liner)	260 g/m ² (78 lb liner)
	Polyester	220 g/m ² (59 lb bond)	220 g/m ² (59 lb bond)
Integrated forms	Pressure sensitive area ²	140 to 175 g/m ²	140 to 175 g/m ²
	Paper base (grain long)	75 to 135 g/m ² (20 to 36 lb bond)	75 to 135 g/m ² (20 to 36 lb bond)

¹ See Grain direction on page 129 for specific recommendations.

² Pressure-sensitive area must enter the printer first for grain short paper.

Grain direction

Grain refers to the alignment of the paper fibers in a sheet of paper. Grain is either grain long, running the length of the paper, or grain short, running the width of the paper.

For 60 to 135 g/m² (16 to 36 lb bond) paper, we recommend grain long stock. For papers heavier than 135 g/m² (36 lb bond), grain short is preferred. For the multipurpose feeder, we recommend 60 to 135 g/m² (16 to 36 lb bond) paper, grain long. If you feed papers heavier than 135 g/m² (36 lb bond) from the multipurpose feeder, grain short is preferred.

Ordering special supplies for label printing

Labels are one of the most difficult print materials for laser printers to handle. To optimize printer performance, use the special label fuser cleaner for printers dedicated to label printing.

To get the special label oil fuser cleaner (to use with simplex labels and vinyl labels), order print cartridge P/N 1382929. If you need additional label fuser cleaners of this type (packaged separately from the print cartridge), order P/N 43H0814. If you are duplexing other jobs, do not use the special label fuser cleaner that comes with this cartridge.

Duplexing of specially designed duplex labels is only supported in the S1855. You must also use a specially designed wax fuser cleaner (P/N 99A1082) with this application. The cartridge containing this special wax fuser cleaner should be ordered when cartridge replacements are needed.

Print cartridge with label fuser cleaner

Print cartridge part number	Yield (average)	Coverage (approximate)
1382929 <i>Prebate</i> [™] (cartridge for special label machine use)	17,600 pages	5%

Maintenance procedures

If the print quality begins to degrade when printing sheets of vinyl labels, we suggest you follow the three cleaning steps below:

- 1 Print 5 sheets of paper.
- 2 Wait approximately 5 seconds.
- 3 Print 5 more sheets of paper.

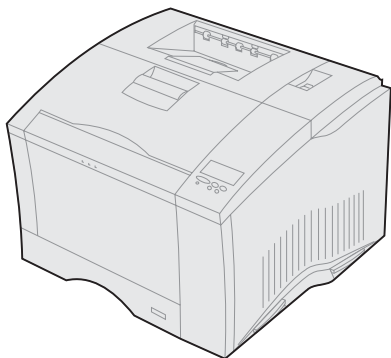
To maintain printer feeding reliability, repeat this cleaning process every time you replace the print cartridge, more often with some media. Failure to follow maintenance procedures could cause jamming, poor print quality, feeding problems, and fuser problems.

Troubleshooting

The following table provides solutions for some common card stock and label problems. See your printer documentation for more troubleshooting information.

Solutions to printing problems

Problem	Solution
Print on heavy stock is blurred or out of focus.	When printing on heavy stock, make sure the Paper Type setting is appropriate for your print material. (Note: Card stock in excess of 203 g/m ² [54 lb bond] may not produce acceptable print results.)
	Print 5 sheets of paper, wait approximately 5 seconds, and then print 5 more sheets of paper to remove any toner that may have accumulated.
Toner rubs off the page.	Make sure the Paper Type setting is appropriate for your print material.
	Use a lighter weight stock. (The material being used exceeds 300 g/m ² .)
	Print 5 sheets of paper, wait approximately 5 seconds, and then print 5 more sheets of paper to remove any toner that may have accumulated.
Printing shows voids.	Change the Paper Type to Plain Paper.
	Print 5 sheets of paper, wait approximately 5 seconds, and then print 5 more sheets of paper to remove any toner that may have accumulated.



Optra SC 1275

Limit label printing to occasional use of paper office labels designed for laser printers. We do not recommend using vinyl or polyester labels.

Limit card stock printing to occasional use of A4 or letter size Index Bristol or Tag. The Optra SC supports stock up to 43 lb (163 g/m²).

Always feed card stock and labels from the multipurpose feeder. The multipurpose feeder can hold up to 75 sheets of card stock or labels.

The following table lists the maximum basis weights supported by the multipurpose feeder.

Optra SC 1275: Overview of card stock and label support

Paper source	Card stock			Labels	
	Index Bristol	Tag	Cover	Paper	Vinyl
Multipurpose feeder	163 g/m ²	163 g/m ²	—	163 g/m ²	—

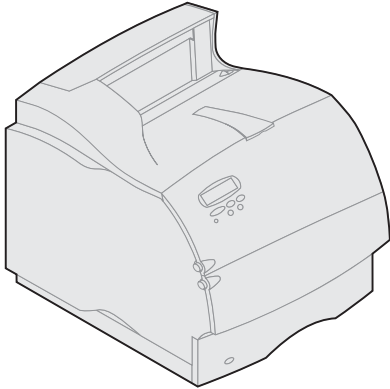
For paper and transparency specifications, see the printer *User's Guide*.

Media specifications

Labels	Width:	210 to 216 mm (8.3 to 8.5 in.)
	Length:	279 to 297 mm (11 to 11.7 in.)
	Weight:	120 to 163 g/m ² (32 to 43 lb)
	Thickness:	0.13 to 0.20 mm (0.005 to 0.008 in.)
	Smoothness:	100 to 400 Sheffield*

* 150–250 Sheffield is optimal. Using media higher than 300 Sheffield could result in printing degradation.

Card stock	Weight:	Up to 163 g/m ² Index Bristol (90 lb)
		Up to 163 g/m ² Tag (100 lb)



Optra T

The Optra T prints on many labels designed for use with laser printers.

The following table lists the maximum basis weights supported by the trays and the multipurpose feeder. More detailed specifications appear on the following pages.

Optra T: Overview of card stock and label support

Paper source	Card stock ¹			Labels ²	
	Index Bristol	Tag	Cover	Paper	Vinyl ³
Standard tray	199 g/m ²	203 g/m ²	216 g/m ²	180 g/m ²	300 g/m ²
250-sheet drawer	163 g/m ²	163 g/m ²	176 g/m ²	163 g/m ²	260 g/m ²
500-sheet drawer	199 g/m ²	203 g/m ²	216 g/m ²	180 g/m ²	300 g/m ²
Multipurpose feeder ⁴	163 g/m ²	163 g/m ²	176 g/m ²	163 g/m ²	260 g/m ²

¹ Grain short.

² Printing labels on the Optra T requires a special label fuser cleaner that prevents duplexing.

It is recommended that when you run vinyl labels, you install a special oil fuser cleaner, P/N 99A0725. When you order a new cartridge, be sure to order the cartridge that will include the correct fuser cleaner.

It is possible to duplex certain labels that have been specifically designed for this application. To duplex labels, consult the Lexmark "Converter Lists" to see which converters have successfully developed this type of label, and you must install a special fuser wiper. The wax wiper that is used with the Optra T is P/N 99A1082.

³ Vinyl labels are not supported by the Optra T616(n).

⁴ Due to label design characteristics, unacceptable feeding may be experienced from the multipurpose feeder.

For paper and transparency specifications, see the printer user's guide.

The following table indicates the paper sizes each tray supports.

Paper source specifications for all media

Source	Standard sizes (width x length)		Universal sizes (width x length)	
	Minimum	Maximum	Minimum	Maximum
Standard tray, 250-sheet drawer, 500-sheet drawer	148 x 210 mm (5.83 x 8.27 in.)	215.9 x 355.6 mm (8.5 x 14 in.)	139.7 x 210 mm (5.5 x 8.27 in.)	215.9 x 355.6 mm (8.5 in. x 14 in.)
Multipurpose feeder	148 x 210 mm (5.83 x 8.27 in.)	215.9 x 355.6 mm (8.5 x 14 in.)	69.85 x 127 mm (2.75 in. x 5 in.)	229 x 355.6 mm (9.01 x 14 in.)

If you load paper that is narrower than 148 mm (5.83 in.) in the multipurpose feeder (for example, 3x5-inch index cards), set the MP Feeder Size menu item to Universal.

Media specifications

Labels	Thickness:	0.102 to 0.305 mm (0.004 to 0.012 in.)
	Smoothness:	100 to 400* Sheffield

* 150–250 Sheffield is optimal. Using media higher than 300 Sheffield could result in printing degradation.

Card stock	Weight:	Up to 199 g/m ² Index Bristol (90 lb)
		Up to 203 g/m ² Tag (100 lb)

Standard trays and special media trays

The Optra T paper feeding mechanism uses advanced technology that enhances feeding reliability. The standard Optra T tray, which holds 250 or 500 sheets of bond paper, reliably feeds all media tested according to the guidelines specified under Dimensions on page 7.

For those difficult-to-print sizes, such as 3-inch x 5-inch index cards, Lexmark offers a variety of special media trays and drawers.

Note: Optional 250-sheet Universally Adjustable Trays designed for the Lexmark T printer family support forms with a minimum length of 5 inches when installed either in the integral tray location or in a 250-sheet drawer under a 250-sheet integral tray. The 250-sheet Universally Adjustable Tray does not support forms shorter than 7 inches on a T522, T620, T622, T630, or T632. Optional 500-sheet Universally Adjustable Trays support forms with a minimum length of 7 inches.

Special media options

Source	Part number
250-Sheet Special Media Tray	11K1572
250-Sheet Special Media Drawer	11K1573
250-Sheet Universally Adjustable Tray	11K1574
250-Sheet Universally Adjustable Drawer	11K1878
500-Sheet Special Media Tray	11K1921
500-Sheet Special Media Tray + Drawer	11K1922
400-Sheet Universally Adjustable Tray	11K1941
400-Sheet Universally Adjustable Tray + Drawer	11K1942

Pick roller technology

The Optra T family of printers uses an auto compensator to pick the media rather than the corner buckler system used by earlier printer models.

The Optra T trays have two rollers that touch the media in two places (see **Figure 19 on page 134**). Avoid placing deep perforations in these areas since the media may nest, causing multiple sheet feeds. Perforations that could cause nesting and tenting should fall outside the 0.31–0.79 in. area on the leading edge of the media. (This is different from the 0.50 in. we recommend leaving at the top of the form for printers with a corner buckler system.) You may want to use micro-perfs to avoid nesting problems. See Perforations and die-cuts on page 8 for more information.

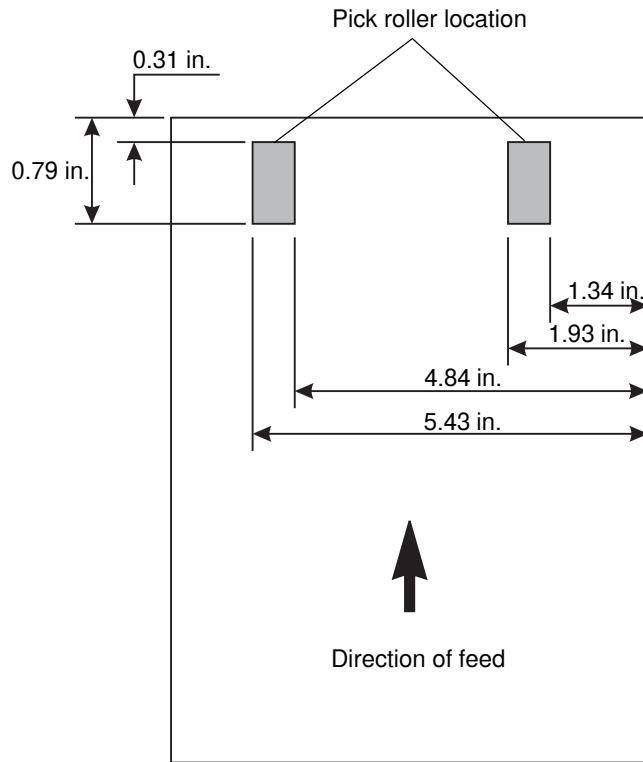


Figure 19. Location of pick rollers

Labels are one of the most difficult print materials for laser printers. A special fuser cleaner should be used for label applications to optimize feed reliability. See your printer documentation for information on ordering additional label fuser cleaners.

When printing on labels:

- Using the printer operator panel, set the Paper Type to Labels in the Paper Menu. For vinyl and other heavy labels, set the Labels Weight (under the Paper Weight menu) to Heavy, and set the Labels Texture (under the Paper Texture menu) to Smooth.
- Do not load labels together with paper or transparencies in the same paper tray. Combining print materials can cause feeding problems.
- Use full label sheets. Partial sheets may cause labels to peel off during printing, resulting in a paper jam. Adhesive material may contaminate your printer. It could also void your printer and cartridge warranties.

When printing on card stock:

- Set the Paper Type to Card Stock in the Paper Menu.
- Do *not* use card stock that is creased. It may cause paper jams.

When feeding labels, the number of labels per sheet can affect registration more than basis weight. Typically, the more labels per sheet, the better the registration.

Print material specifications

Print material		Range or maximum weight supported	
		250-sheet and 500-sheet trays	Multipurpose feeder and optional 250-sheet drawer
Paper (grain long)	Xerographic or business paper	60 to 176 g/m ² (16 to 47 lb bond)	60 to 135 g/m ² (16 to 36 lb bond)
Card stock (grain long ¹)	Index Bristol	163 g/m ² (90 lb)	120 g/m ² (67 lb)
	Tag	163 g/m ² (100 lb)	120 g/m ² (74 lb)
	Cover	176 g/m ² (65 lb)	135 g/m ² (50 lb)
Card stock (grain short ¹)	Index Bristol	199 g/m ² (110 lb)	163 g/m ² (90 lb)
	Tag	203 g/m ² (125 lb)	163 g/m ² (100 lb)
	Cover	216 g/m ² (80 lb)	176 g/m ² (65 lb)
Labels	Paper	180 g/m ² (48 lb bond)	163 g/m ² (43 lb bond)
	Dual-Web Paper	180 g/m ² (48 lb bond)	163 g/m ² (43 lb bond)
	Vinyl	300 g/m ² (92 lb liner)	260 g/m ² (78 lb liner)
	Polyester	220 g/m ² (59 lb bond)	220 g/m ² (59 lb bond)
Integrated forms	Pressure sensitive area ²	140 to 175 g/m ²	140 to 175 g/m ²
	Paper base (grain long)	75 to 135 g/m ² (20 to 36 lb bond)	75 to 135 g/m ² (20 to 36 lb bond)

¹ See Grain direction on page 135 for specific recommendations.
² Pressure-sensitive area must enter the printer first for grain short paper.

Grain direction

Grain refers to the alignment of the paper fibers in a sheet of paper. Grain is either grain long, running the length of the paper, or grain short, running the width of the paper.

For 60 to 135 g/m² (16 to 36 lb bond) paper, we recommend grain long stock. For papers heavier than 135 g/m² (36 lb bond), grain short is preferred. For the multipurpose feeder, we recommend 60 to 135 g/m² (16 to 36 lb bond) paper, grain long. If you feed papers heavier than 135 g/m² (36 lb bond) from the multipurpose feeder, grain short is preferred.

Maintenance procedures

If the print quality begins to degrade when printing sheets of vinyl labels, we suggest you follow the three cleaning steps below:

- 1 Print 5 sheets of paper.
- 2 Wait approximately 5 seconds.
- 3 Print 5 more sheets of paper.

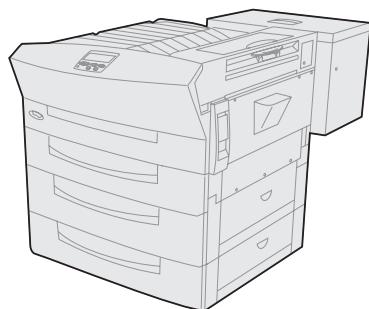
To maintain printer feeding reliability, repeat this cleaning process every time you replace the print cartridge, more often with some media. Failure to follow maintenance procedures could cause jamming, poor print quality, feeding problems, and fuser problems.

Troubleshooting

The following table provides solutions for some common card stock and label problems. See your printer documentation for more troubleshooting information.

Solutions to printing problems

Problem	Solution
Print on heavy stock is blurred or out of focus.	When printing on heavy stock, make sure the Paper Type setting is appropriate for your print material. Note: Card stock in excess of 203 g/m ² [54 lb bond] may not produce acceptable print results.
	Print 5 sheets of paper, wait approximately 5 seconds, and then print 5 more sheets of paper to remove any toner that may have accumulated.
Toner rubs off the page.	Make sure the Paper Type setting is appropriate for your print material.
	Use a lighter weight stock. (The material being used exceeds 300 g/m ²).
	Print 5 sheets of paper, wait approximately 5 seconds, and then print 5 more sheets of paper to remove any toner that may have accumulated.
Printing shows voids.	Change the Paper Type to Plain Paper.
	Print 5 sheets of paper, wait approximately 5 seconds, and then print 5 more sheets of paper to remove any toner that may have accumulated.



Optra W810

Limit label printing to occasional use of A4 or letter size paper labels designed for laser printers. We do not recommend using vinyl or polyester labels.

The Optra W810 supports stocks up to 43 lb (163 g/m²). *Always* feed labels and card stock from tray 1, which holds up to 50 sheets of labels or card stock.

The following table lists the maximum basis weights supported by tray 1.

Optra W810: Overview of card stock and label support

Paper source	Card stock			Labels	
	Index Bristol	Tag	Cover	Paper	Vinyl
Tray 1	163 g/m ²	163 g/m ²	—	163 g/m ²	—

For paper and transparency specifications, see the printer *User's Guide*.

Media specifications

Labels	Width:	210 to 216 mm (8.3 to 8.5 in.)
	Length:	279 to 356 mm (11 to 11.7 in.)
	Weight:	120 to 128 g/m ² (32 to 34 lb.)
	Thickness:	0.13 to 0.20 mm (0.005 to 0.008 in.)
	Smoothness:	100 to 400 Sheffield*

* 150–250 Sheffield is optimal. Using media higher than 300 Sheffield could result in printing degradation.

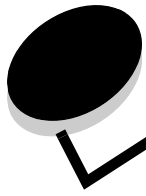
Card stock	Width:	210 to 216 mm (8.3 to 8.5 in.)
	Length:	279 to 356 mm (11 to 11.7 in.)
	Weight:	Up to 163 g/m ² Index Bristol (90 lb)

When printing on labels:

- Set the Paper Type to Labels in the Paper Menu.
- Do not use label sheets with a slick backing material.
- Do not print within 1 mm (0.040 in.) of the die cut, the edge of the label, the perforations, or between the die cuts.
- Use full label sheets. Partial sheets may cause labels to peel off during printing, resulting in a paper jam.
- Do not use label sheets that have adhesive to the edge of the sheet. We recommend zone coating of the adhesive at least 1 mm (0.040 in.) away from the edges. Adhesive material may contaminate your printer and could void your warranty.

When printing on card stock:

- Set the Paper Type to Plain Paper. The Lexmark W810 treats card stock the same as Plain Paper. It does not adjust the print speed or fuser temperature when the Paper Type is set to Card Stock.
- Do *not* use card stock that is creased. It may cause paper jams.
- We recommend the use of grain long card stock.



Glossary

Adhesive contamination. Migration of adhesive away from a label, which can cause printer contamination. Also known as *glue contamination*.

Anvil cuts. Cuts that penetrate both the face stock and the liner of a label.

Auto compensator. A gear-driven pick arm suspended by a counterbalance spring that allows the printer to automatically adjust the pick force necessary for different types of print materials.

Back splits. Also known as *back slits* or *liner cuts*. Cuts through the backside of the liner. Back slits increase the potential for *adhesive contamination*.

Backup roll contamination. Toner contamination of the fuser's backup roll. Particularly applies to vinyl, plastic, and paper labels. Slick backings are harder to feed and increase toner buildup in the fuser.

Basis weight. Weight of a specific number of sheets of paper or stock in a standard size for that particular material. See "Card stock weights comparison guide" on page 11.

Beam strength. Also known as *column strength*. Refers to how well the material is able to support itself and remain flat and straight during the printing process.

Butt cut. Cut flush to one another, with no extra area between. This cut does not extend through the liner. Butt cut labels may or may not have an edge matrix removed.

Calendering. The process of moving paper through metal rolls during manufacturing to smooth and gloss the surface of the paper.

Clipping. Also known as *buckler damage*. A notching or slight folding of the corner of the stock placed under the corner buckler of the paper tray.

Conversion. The process that turns base stock into cut-sheet products designed for specific applications. Conversion includes cutting the base stock to size, perforating the stock, die-cutting, and applying inks and topcoats.

Converters. Print material suppliers who take the base stock from the manufacturer and convert it into cut sheet products.

Corner buckler. The metal tab at the corner of a paper tray that helps the printer separate one sheet of paper from the stack during the pick process.

Curl. Waviness or curvature at the edge of the material that is generally moisture related.

Cut sheet. Single piece (page) of paper or label stock.

Debossing. Process of pressing an image down into the surface of the label or card stock. *See also* Embossing.

Delamination. The peeling of labels off the backing during the printing process.

Die-cut. Labels: Cut of material (face stock) to form individual labels on sheet. Cuts do not penetrate the liner. Card Stock: Cuts made with dies to create the shapes wanted in the stock. Cuts may or may not go completely through the stock. *See also* Ties.

Driver edge. For printers that use a fixed reference for feeding paper through the paper path (as opposed to printers that center paper in the path), the edge of the print material that is positioned next to the hardware reference and that is driven by the rollers in the printer. For most Lexmark printers, the driver edge is the left edge of a portrait page.

Embossing. Process of raising the surface of the base material by stamping an image or design with an embossing machine. The machine has a roll with a raised image on the surface. As the print material passes through the machine, the image is pressed into the material. *See also* Debossing.

Feed. How well the stock moves out of the paper tray and through the printer.

Fiber content. The material used to manufacture the paper. Most high-quality xerographic paper is made from 100% chemically pulped wood. This content provides the paper with a high degree of stability resulting in fewer paper feeding problems and better print quality. Paper containing fibers such as cotton have characteristics that can result in degraded paper feeding.

Fuse grade. Qualitative measurement of the adhesion of toner to the printed sheet.

Fusing. Printer process of melting toner and adhering it to the print material.

Glue contamination. *See* Adhesive contamination.

Grain. The orientation of the fibers in the print material. *Grain short* indicates the fibers run the width of the paper. *Grain long* indicates the fibers run the length of the paper.

Ink contamination. Transfer of ink from a form to the printer's pick mechanism or fuser assembly, which can cause printer contamination.

Ironing. A mechanical process used during conversion to flatten stock.

Laser ink. Inks that can withstand fuser temperatures of 225°C (437°F) and pressures to 25 psi without contaminating the printer or releasing hazardous fumes.

Laser-perfs. Small perforations (20 to 30 perfs per inch) that create little paper dust and debris and do not normally cause nesting. Also known as *micro-perfs* or *data-perfs*.

Leading edge. The edge of the print material that enters the printer paper path first.

Matrix. Unneeded portions of die-cut stock around labels. A *stripped matrix* is one that is removed to make it easier to peel labels from the liner.

Micro-perfs. See Laser-perfs.

Moisture content. The amount of moisture in the paper, which affects both print quality and paper feeding. Leave paper in its original wrapper until you are ready to use it. This limits the exposure of the paper to moisture changes that can damage the paper.

Nesting. To fit compactly together; to interlock; to stick together.

Offset powder. A powder applied during some printing processes to help dry inks.

Oil bleed. Migration of materials from the substrate or the adhesive out to the face. This generally occurs in aged materials or materials exposed to extreme temperature changes. Also known as *penetration*, *bleed through*, and *bleed*.

Ooze. Migration of adhesive away from labels, which can cause printer contamination.

Perforation. Line of very small holes or slots punched to facilitate tearing. See also Laser-perfs.

Pick. The mechanical action the printer performs to remove one sheet of material from the tray.

Pick roller. The roller that assists in picking a sheet of material from the tray.

Pull strength. See Release.

Release. The ability of adhesive to resist label peeling during the printing process.

Roll-over. Bending of the paper edge during conversion due to a dull cutting knife.

Rollback. The lifting of labels from the backing during the printing process. Also known as *butterflying*.

Semi-liquid. Having characteristics of both liquid and solid.

Shear strength. Cohesive strength of the adhesive.

Shelf talkers. Small signs that hang over or next to a regular shelf label. Shelf talkers may be constructed of a pressure-sensitive material or card stock.

Sizing. Additives applied to paper (internally or externally) that improve offset printing qualities and resistance to liquids.

Skew. Slant of printed lines in reference to the edge of the paper; due to paper moving through the printer in something other than a straight path.

Smoothness. The degree of smoothness of the print material. If the paper is too rough, the toner does not fuse to the paper properly, resulting in poor print quality. If the paper is too smooth, it can cause paper feeding problems in the printer. Smoothness is measured in Sheffield points; lower values indicate smoother paper.

Splatter. The appearance of black specks around a printed image. Generally related to printing on stock that is too heavy or has a surface that repels toner.

Stacking. How well the paper stacks in the output bin.

Stringers. Small bits of adhesive found on top of a pressure-sensitive material at the die-cut and perforated areas. Stringers are indications of a dull blade and are related to the shear strength of the adhesive.

Stripped edge matrix. Labels with a portion of the area around the outer edge of the cut sheet removed.

Supercalendering. A process where paper passes through heated, polished steel and compressed cotton rolls that “iron” the material to a high gloss, polished finish.

Talkers. Printed or handwritten signs used to advertise specials or to draw attention to a particular product.

Tenting. The creasing of perforated material when it is flexed.

Thermography. A printing process that raises the ink image or design above the surface of the base material. Also known as *electro-thermography*.

Ties. Small areas along perforations or die-cuts in the face material of a label (pressure-sensitive material), or in card stock, which are not cut through. Ties help stabilize the form and prevent tearing at the perforations and die-cuts.

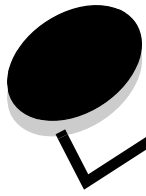
Toner. The material that adheres to the paper or print material to create the printed image.

Total strip matrix. Labels that have the unneeded portion of the die-cut stock around the labels, including a portion between the labels, removed to make it easier to peel labels from the backing.

Vellum finish. A finish with a rough surface similar to eggshell and antique finishes. A vellum finish is relatively absorbent, providing good ink penetration.

Wash boarding. Waviness in the stock that gives a rippled appearance to the material; generally moisture related.

Zone coating. Placing adhesive in selected areas only. Allows no adhesive areas along edge of labels. Also known as *patterned adhesive*, *pattern coated*, *dry lap*, *separator*, *strip coated*.



Index

A

adhesives
contamination 13, 16, 17
integrated forms 21
label component 16

B

backing 15
bar codes 9
basis weight 7, 10
butt cut labels 17

C

C500 28
C510 63
C530, C532, and C534 29
C912 61
C935 25
card stock
coatings 12
design factors 7
grain orientation 11
recommendations 10
thickness 11
weights 7, 10, 11
carrier 15
chaff 16, 123
coatings 12
contamination 13, 16, 17
converters 6
curl 8, 11
cut sheet paper labels 19

D

debossing 9
designing labels 7, 17
die cuts 8

die-cut labels 17
dimensions 7
distributors 6
dual web forms 20
duplexing labels 14

E

E238, E240, E240n, E340,
E342n 40
E250, E350, E450n 32
embossing 9
environmental factors 7

F

face sheet 16
fiber content 139
finishes 12, 16
form design 7, 9
fumes 7, 16
fuser cleaner
Optra plus and 4039 printers
123
Optra S 129
fuser temperature 16

G

grain orientation 11

H

humidity 7

I

industry 6
inks (preprinted stock) 8
integrated forms 21
ironing 8

L

label and paper industry 6
label fuser cleaner (Optra S)
129
labels
characteristics 13
components
adhesives 16
face sheet 16
liners 15
topcoats 17
construction 13, 15
cut sheet paper labels 19
design 7, 13, 17
dual web forms 20
duplexing 14
integrated forms 21
printer maintenance 13
printing 13
vinyl and polyester labels 21
laser printers 5
Lexmark C500 28
Lexmark C510 63
Lexmark C520, C522, C524
27, 28, 29, 51
Lexmark C530, C532, and
C534 29
Lexmark C720 63, 69
Lexmark C750 71
card stock and label support
71
grain direction 74
label types and weights 73
maintenance procedures 74
media specifications 72
Paper Type setting 74
pick roller technology 72
placing perforations 72

- print material specifications 73
- standard and special media trays 72
- tray specifications for all media 71
- troubleshooting 74
- Lexmark C752 49, 75
 - card stock and label support 33, 41, 75
 - grain direction 44, 78
 - label types and weights 43, 77
 - maintenance procedures 35, 44, 78
 - media specifications 33, 41, 76
 - Paper Type setting 35, 44, 78
 - pick roller technology 30, 33, 41, 52, 76
 - placing perforations 30, 33, 41, 52, 76
 - print material specifications 43, 77
 - standard and special media trays 33, 41, 76
 - tray specifications for all media 75
 - troubleshooting 35, 44, 78
- Lexmark C760, C762 41
 - troubleshooting 35, 44
- Lexmark C770, C772 33
- Lexmark C770, C772, C780, C782 33
- Lexmark C910 79
- Lexmark C912 61
- Lexmark C920 54
- Lexmark C940 25
- Lexmark E220 81
 - maintenance procedures 32, 40, 81, 85
- Lexmark E238, E240, E240n, E340, E342n 32, 40
- Lexmark E250, E350, E450n 32
- Lexmark E320, E322 82
 - maintenance procedures 82

- Lexmark E321, E323 83, 84
 - maintenance procedures 83, 84
- Lexmark T420 88
 - maintenance procedures 87, 90
- Lexmark T430 86
- Lexmark T520, 522
 - Paper Type setting 95
- Lexmark T520, T522 91
 - card stock and label support 91
 - grain direction 94
 - label types and weights 94
 - maintenance procedures 94
 - media specifications 92
 - pick roller technology 93
 - placing perforations 93
 - print material specifications 94
 - special media options 92
 - standard and special media trays 92
 - tray specifications for all media 91
 - troubleshooting 95
- Lexmark T620, T622 96
 - card stock and label support 96
 - grain direction 99
 - label types and weights 99
 - maintenance procedures 100
 - media specifications 97
 - Paper Type setting 100
 - pick roller technology 98
 - placing perforations 98
 - print material specifications 99
 - special media options 97
 - standard and special media trays 97
 - tray specifications for all media 96
 - troubleshooting 100
- Lexmark T630, T632, T634 36, 45, 56, 101
 - card stock and label support

- 36, 45, 56, 101
- grain direction 39, 48, 59, 105
- label types and weights 104
- maintenance procedures 39, 48, 59, 105
- media specifications 36, 45, 56, 102
- Paper Type setting 39, 48, 59, 105
- pick roller technology 38, 47, 58, 103
- placing perforations 38, 47, 58, 103
- print material specifications 104
- special media options 37, 46, 57, 102
- standard and special media trays 37, 46, 57, 102
- tray specifications for all media 101
- troubleshooting 105
- Lexmark T640, T642 and T644 56
- Lexmark T640, T642, T644
 - troubleshooting 59
- Lexmark W812 106
- Lexmark W820 107
- Lexmark W840 60
- Lexmark X215 67
- Lexmark X422 65
- Lexmark X500 and X502 27
- Lexmark X642e 36
- Lexmark X644e, X644e, X646e 45
 - troubleshooting 39, 48
- Lexmark X850, X852e, X854e 49
- Lexmark X940 and X945 24
- liners 15

M

- maintenance procedures
 - Lexmark C750 74, 78
 - Lexmark C752 35, 44, 78
 - Lexmark C760, C762 35, 44
 - Lexmark E220 32, 40, 81,

- 85
- Lexmark E238, E240, E240n, E340, E342n 32, 40
- Lexmark E320, E322 82
- Lexmark E321, E323 83, 84
- Lexmark T420 87, 90
- Lexmark T430 87
- Lexmark T520, T522 94
- Lexmark T620, T622 100
- Lexmark T630, T632, T634 39, 48, 59, 105
- Lexmark T640, T642, T644 59
- Lexmark X644e, X644e, X646e 39, 48
- Optra E, Ep 114
- Optra E310, E312 113
- Optra Es 116
- Optra M410, M412 119
- Optra S 129
- Optra T 135
- manufacturers 6
- matrix
 - defined 140
 - stripped edge 16, 17
 - total strip 17, 18
- metallics 9
- models 5
- moisture content 140

O

- oil bleed 21
- Optra C710 110
- Optra Color 1200 112
- Optra E, Ep 114
 - maintenance procedures 114
- Optra E310, E312 113
 - maintenance procedures 113
- Optra Es 115
 - maintenance procedures 116
 - tray specifications 116
- Optra K 1220 117
- Optra M410, M412 118
 - maintenance procedures

- 119
 - tray specifications 118
- Optra S 125
 - duplexing 128, 129
 - label printing 128, 129
 - label types and weights 128
 - maintenance procedures 129
 - Paper Type setting 128, 130
 - pick roller technology 126
 - placing perforations 126
 - print material specifications 128
 - special media tray 126
 - tray capacities 126
 - tray specifications 126
 - troubleshooting 130
- Optra T 132
 - label types and weights 135
 - maintenance procedures 135
 - Paper Type setting 136
 - pick roller technology 134
 - placing perforations 134
 - print material specifications 135
 - special media tray 133
 - troubleshooting 136
- Optra W810 137
- orientation 9

P

- paper dust 16, 123
- perforations 8
- pick roller (Optra S) 126
- pick roller (Optra T) 134
- polyester labels 21
- preprinted stock 8
- print volumes 6
- printer models 5

R

- r 32, 40

S

- sizing 19
- smoothness 16

- stacking in output bin 21
- stripped edge matrix 16, 17
- supercalendering 16

T

- T640, T642 and T644 56
- technical assistance 5, 7
- temperature 7
- testing print materials 6
- thermography inks 8
- topcoats 17, 21
- total strip matrix 17, 18
- troubleshooting
 - Lexmark C750 35, 44, 74, 78
 - Lexmark C752 78
 - Lexmark C760, C762 35, 44
 - Lexmark T520, T522 95
 - Lexmark T620, T622 100
 - Lexmark T630, T632, T634 39, 48, 59, 105
 - Lexmark X644e, X644e, X646e 39, 48
 - Optra plus, 4039, 4029, 4019, WinWriter 600 124
 - Optra S 130
 - Optra T 136

V

- vinyl labels 21
- volume printing 6

W

- W840 60
- weight, basis 7
- weights, card stock comparison 11
- WinWriter 600 121

X

- X215 67
- X422 65
- X500 and X502 27
- X642e 36
- X644e, X644e, X646e 45
- X850, X852e, X854e 49
- X940 and X945 24

Z

- zone coating
 - adhesives 16
 - integrated forms 21
 - label design 17

LEXMARKTM